





LED SIGNALLEUCHTEN

LED PANEL MOUNT INDICATORS

Allgemeine technische Informationen

General technical information

Unsere hochwertigen LED Signalleuchten sind in Bezug auf Preis und Qualität die perfekte Alternative zu herkömmlichen Meldeleuchten mit Signal-Glühlampen.

Sie stehen mit hochglanzverchromtem, schwarzverchromtem, mattverchromtem Messing-Reflektor oder mit schwarzem Kunststoff-Reflektor zur Verfügung und können mit oder ohne integriertem Vorwiderstand geliefert werden.

Die Flachstecker der Signalleuchten ermöglichen ein schnelles und sicheres Anschließen an die Versorgungsspannung.

LED Signalleuchten gibt es für den Einbaudurchmesser 6, 8, 12, 14, 16, 19 und 22mm.

Sie zeichnen sich aus durch:

- günstiges Preis-Leistungsverhältnis
- sehr hohe Schockfestigkeit
- extrem lange Lebensdauer
- einfache Montage
- vielfältiger Einsatz durch hohe Schutzart
- niedriger Energieverbrauch

Spannungstoleranz: +10%
Umgebungstemperatur: -20°C - +60°C
Lagertemperatur: -25°C - +80°C

Our high-grade LED panel mount indicators are a perfect alternative to all common indicators with incandescent lamps in relation to price and quality.

They are available with satin chrome, black chrome, matt chrome metal bezel or with black plastic bezel. We offer them with or without integrated resistor.

Connection is made by faston tab terminals.

LED panel mount indicators are available for panel cut outs of 6, 8, 12, 14, 16, 19 and 22mm.

Features of these products are:

- cost effectiveness
- shock and vibration proof
- extremely long lifetime
- easy to install
- high degree of protection
- low power consumption

*Voltage tolerance: +10%
Ambient temperature: -20°C - +60°C
Storage temperature: -25°C - +80°C*

Zulassungen:



Approvals:





LED Signalleuchten LED Panel Mount Indicators

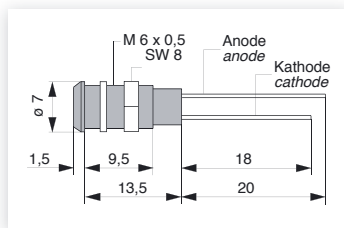
LED Signalleuchten für den Einbaudurchmesser von 6mm (+0,2mm) sind mit hellen, verschiedenfarbigen, diffusen 3mm LEDs bestückt. Sie sind mit hochglanzverchromten, schwarzverchromten oder mattverchromten Messingreflektoren lieferbar. Der Anschluss erfolgt in der Regel über Flachstecker 2,0 x 0,5mm. Die entsprechenden Flachsteckhülsen finden Sie auf der Zubehör-Seite. Die Montage der LED Signalleuchten erfolgt mittels der mitgelieferten Sprengringe und Muttern.

Messingflachstecker = Anode (+)
verzinnter Flachstecker = Kathode (-)

LED panel mount indicators for a 6mm (+0.2mm) mounting hole are manufactured with high brightness coloured diffused 3mm LEDs. These LEDs are fitted in high quality satin chrome, black chrome or matt chrome metal bezels, supplied with fixing nut and washer. Connection is usually by faston tab terminals 2.0 x 0.5mm. Suitable crimp connectors can be found on the page for accessories.

Brass terminals = anode (+)
Tinned terminals = cathode (-)

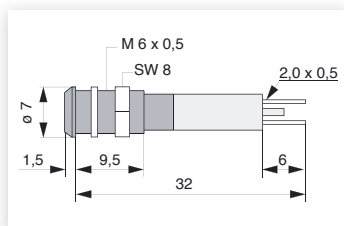
Superflacher Reflektor ohne Vorwiderstand IP40 / Superflat bezel without resistor IP40



Part Number	Colour	Typ. Forward Voltage	Typ. Current	Typ. Lumi. Intensity
Hochglanzverchromter Metallreflektor / Satin chrome bezel				
17.000003	red	2,0V DC	–	13mcd at 20mA
17.000001	green	2,2V DC	–	8mcd at 20mA
17.000002	yellow	2,1V DC	–	8mcd at 20mA
Schwarzverchromter Metallreflektor / Black chrome bezel				
17.001003	red	2,0V DC	–	13mcd at 20mA
17.001001	green	2,2V DC	–	8mcd at 20mA
17.001002	yellow	2,1V DC	–	8mcd at 20mA
Mattverchromter Metallreflektor / Matt chrome bezel				
17.002003	red	2,0V DC	–	13mcd at 20mA
17.002001	green	2,2V DC	–	8mcd at 20mA
17.002002	yellow	2,1V DC	–	8mcd at 20mA

Maximale Frontplattenstärke 8,5mm / Maximum panel thickness 8.5mm

Superflacher Reflektor mit Vorwiderstand IP40 / Superflat bezel with resistor IP40



Part Number	Colour	Voltage	Typ. Current	Typ. Lumi. Intensity
Hochglanzverchromter Metallreflektor / Satin chrome bezel				
17.000253	red	12V DC	20mA DC	13mcd
17.000251	green	12V DC	20mA DC	8mcd
17.000252	yellow	12V DC	20mA DC	8mcd
17.000353	red	24V DC	15mA DC	8mcd
17.000351	green	24V DC	15mA DC	6mcd
17.000352	yellow	24V DC	15mA DC	6mcd
Schwarzverchromter Metallreflektor / Black chrome bezel				
17.001253	red	12V DC	20mA DC	13mcd
17.001251	green	12V DC	20mA DC	8mcd
17.001252	yellow	12V DC	20mA DC	8mcd
17.001353	red	24V DC	15mA DC	8mcd
17.001351	green	24V DC	15mA DC	6mcd
17.01352	yellow	24V DC	15mA DC	6mcd
Mattverchromter Metallreflektor / Matt chrome bezel				
17.002253	red	12V DC	20mA DC	13mcd
17.002251	green	12V DC	20mA DC	8mcd
17.002252	yellow	12V DC	20mA DC	8mcd
17.002353	red	24V DC	15mA DC	8mcd
17.002351	green	24V DC	15mA DC	6mcd
17.002352	yellow	24V DC	15mA DC	6mcd

Maximale Frontplattenstärke 8,5mm / Maximum panel thickness 8.5mm

Andere Spannungen auf Anfrage / Other voltages on request

EINBAUDURCHMESSER
MOUNTING HOLE

6 mm

8 mm

12 mm

14 mm

16 mm

19 mm

22 mm

ZUBEHÖR
ACCESSORIES

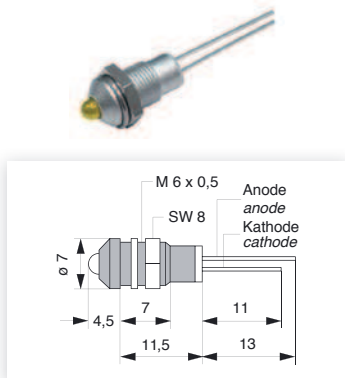




LED Signalleuchten LED Panel Mount Indicators

EINBAUDURCHMESSER
MOUNTING HOLE

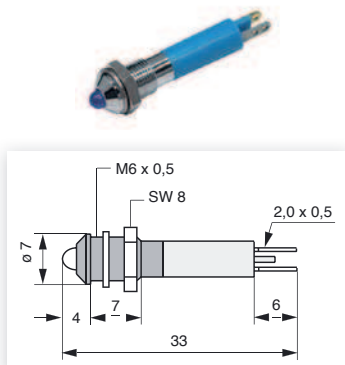
Außenreflektor ohne Vorwiderstand IP40 / *Prominent (exterior) bezel without resistor IP40*



Part Number	Colour	Typ. Forward Voltage	Typ. Current	Typ. Lumi. Intensity
Hochglanzverchromter Metallreflektor / Satin chrome bezel				
17.020003	red	2,0V DC	–	13mcd at 20mA
17.020001	green	2,2V DC	–	8mcd at 20mA
17.020002	yellow	2,1V DC	–	8mcd at 20mA
17.020007	blue	4,5V DC	–	40mcd at 20mcd
17.02000W3D	white	3,2V DC	–	3000mcd at 20mcd
Schwarzverchromter Metallreflektor / Black chrome bezel				
17.021003	red	2,0V DC	–	13mcd at 20mA
17.021001	green	2,2V DC	–	8mcd at 20mA
17.021002	yellow	2,1V DC	–	8mcd at 20mA
17.021007	blue	4,5V DC	–	40mcd at 20mcd
17.02100W3D	white	3,2V DC	–	3000mcd at 20mcd
Mattverchromter Metallreflektor / Matt chrome bezel				
17.022003	red	2,0V DC	–	13mcd at 20mA
17.022001	green	2,2V DC	–	8mcd at 20mA
17.022002	yellow	2,1V DC	–	8mcd at 20mA
17.022007	blue	4,5V DC	–	40mcd at 20mcd
17.02200W3D	white	3,2V DC	–	3000mcd at 20mcd

Maximale Frontplattenstärke 5,5mm / Maximum panel thickness 5.5mm

Außenreflektor mit Vorwiderstand IP40 / *Prominent (exterior) bezel with resistor IP40*



Part Number	Colour	Voltage	Typ. Current	Typ. Lumi. Intensity
Hochglanzverchromter Metallreflektor / Satin chrome bezel				
17.020253	red	12V DC	20mA DC	13mcd
17.020251	green	12V DC	20mA DC	8mcd
17.020252	yellow	12V DC	20mA DC	8mcd
17.020257	blue	12V DC	18mA DC	36mcd
17.02025W	white	12V DC	6mA DC	900mcd
17.020353	red	24V DC	15mA DC	8mcd
17.020351	green	24V DC	15mA DC	6mcd
17.020352	yellow	24V DC	15mA DC	6mcd
17.020357	blue	24V DC	15mA DC	26mcd
17.02035W	white	24V DC	7mA DC	1050mcd
Schwarzverchromter Metallreflektor / Black chrome bezel				
17.021253	red	12V DC	20mA DC	13mcd
17.021251	green	12V DC	20mA DC	8mcd
17.021252	yellow	12V DC	20mA DC	8mcd
17.021257	blue	12V DC	18mA DC	36mcd
17.02125W	white	12V DC	6mA DC	900mcd
17.021353	red	24V DC	15mA DC	8mcd
17.021351	green	24V DC	15mA DC	6mcd
17.021352	yellow	24V DC	15mA DC	6mcd
17.021357	blue	24V DC	15mA DC	26mcd
17.02135W	white	24V DC	7mA DC	1050mcd
Mattverchromter Metallreflektor / Matt chrome bezel				
17.022253	red	12V DC	20mA DC	13mcd
17.022251	green	12V DC	20mA DC	8mcd
17.022252	yellow	12V DC	20mA DC	8mcd
17.022257	blue	12V DC	18mA DC	36mcd
17.02225W	white	12V DC	6mA DC	900mcd
17.022353	red	24V DC	15mA DC	8mcd
17.022351	green	24V DC	15mA DC	6mcd
17.022352	yellow	24V DC	15mA DC	6mcd
17.022357	blue	24V DC	15mA DC	26mcd
17.02235W	white	24V DC	7mA DC	1050mcd

Maximale Frontplattenstärke 5,5mm / Maximum panel thickness 5.5mm
Andere Spannungen auf Anfrage / Other voltages on request

6 mm

8 mm

12 mm

14 mm

16 mm

19 mm

22 mm

ZUBEHÖR
ACCESSORIES





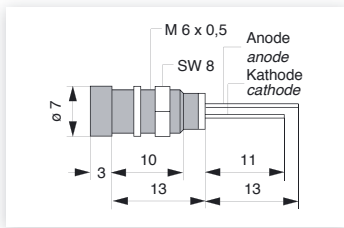
LED Signalleuchten LED Panel Mount Indicators

EINBAUURCHMESSER
MOUNTING HOLE

- ↑
6 mm
↓
- ↑
8 mm
↓
- ↑
12 mm
↓
- ↑
14 mm
↓
- ↑
16 mm
↓
- ↑
19 mm
↓
- ↑
22 mm
↓

ZUBEHÖR
ACCESSORIES

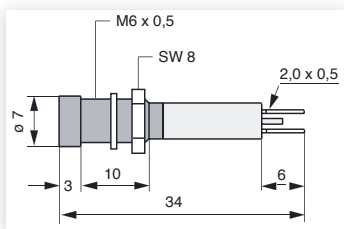
Innenreflektor ohne Vorwiderstand IP40 / Recessed (interior) bezel without resistor IP40



Part Number	Colour	Typ. Forward Voltage	Typ. Current	Typ. Lumi. Intensity
Hochglanzverchromter Metallreflektor / Satin chrome bezel				
17.030003	red	2,0V DC	–	13mcd at 20mA
17.030001	green	2,2V DC	–	8mcd at 20mA
17.030002	yellow	2,1V DC	–	8mcd at 20mA
17.030007	blue	4,5V DC	–	40mcd at 20mcd
17.0300W3D	white	3,2V DC	–	3000mcd at 20mcd
Schwarzverchromter Metallreflektor / Black chrome bezel				
17.031003	red	2,0V DC	–	13mcd at 20mA
17.031001	green	2,2V DC	–	8mcd at 20mA
17.031002	yellow	2,1V DC	–	8mcd at 20mA
17.031007	blue	4,5V DC	–	40mcd at 20mcd
17.03100W3D	white	3,2V DC	–	3000mcd at 20mcd
Mattverchromter Metallreflektor / Matt chrome bezel				
17.032003	red	2,0V DC	–	13mcd at 20mA
17.032001	green	2,2V DC	–	8mcd at 20mA
17.032002	yellow	2,1V DC	–	8mcd at 20mA
17.032007	blue	4,5V DC	–	40mcd at 20mcd
17.03200W3D	white	3,2V DC	–	3000mcd at 20mcd

Maximale Frontplattenstärke 8mm / Maximum panel thickness 8mm

Innenreflektor mit Vorwiderstand IP40 / Recessed (interior) bezel with resistor IP40



Part Number	Colour	Voltage	Typ. Current	Typ. Lumi. Intensity
Hochglanzverchromter Metallreflektor / Satin chrome bezel				
17.030253	red	12V DC	20mA DC	13mcd
17.030251	green	12V DC	20mA DC	8mcd
17.030252	yellow	12V DC	20mA DC	8mcd
17.030257	blue	12V DC	18mA DC	36mcd
17.03025W	white	12V DC	6mA DC	900mcd
17.030353	red	24V DC	15mA DC	8mcd
17.030351	green	24V DC	15mA DC	6mcd
17.030352	yellow	24V DC	15mA DC	6mcd
17.030357	blue	24V DC	15mA DC	26mcd
1.703035W	white	24V DC	7mA DC	1050mcd
Schwarzverchromter Metallreflektor / Black chrome bezel				
17.031253	red	12V DC	20mA DC	13mcd
17.031251	green	12V DC	20mA DC	8mcd
17.031252	yellow	12V DC	20mA DC	8mcd
17.031257	blue	12V DC	18mA DC	36mcd
17.03125W	white	12V DC	6mA DC	900mcd
17.031353	red	24V DC	15mA DC	8mcd
17.031351	green	24V DC	15mA DC	6mcd
17.031352	yellow	24V DC	15mA DC	6mcd
17.031357	blue	24V DC	15mA DC	26mcd
17.03135W	white	24V DC	7mA DC	1050mcd
Mattverchromter Metallreflektor / Matt chrome bezel				
17.032253	red	12V DC	20mA DC	13mcd
17.032251	green	12V DC	20mA DC	8mcd
17.032252	yellow	12V DC	20mA DC	8mcd
17.032257	blue	12V DC	18mA DC	36mcd
17.03225W	white	12V DC	6mA DC	900mcd
17.032353	red	24V DC	15mA DC	8mcd
17.032351	green	24V DC	15mA DC	6mcd
17.032352	yellow	24V DC	15mA DC	6mcd
17.032357	blue	24V DC	15mA DC	26mcd
17.03235W	white	24V DC	7mA DC	1050mcd

Maximale Frontplattenstärke 8mm / Maximum panel thickness 8mm
Andere Spannungen auf Anfrage / Other voltages on request





LED Signalleuchten LED Panel Mount Indicators

EINBAUDURCHMESSER
MOUNTING HOLE

6 mm

8 mm

12 mm

14 mm

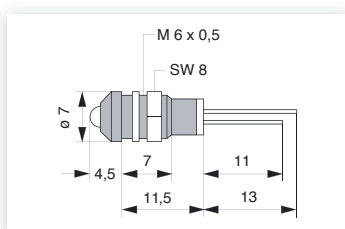
16 mm

19 mm

22 mm

ZUBEHÖR
ACCESSORIES

Außenreflektor zweifarbig ohne Vorwiderstand IP40 / *Prominent (exterior) bezel bi-colour without resistor IP40*



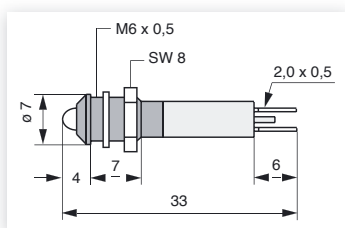
Part Number	Colour	Typ. Forward Voltage	Typ. Current	Typ. Lumi. Intensity
Hochglanzverchromter Metallreflektor / Satin chrome bezel				
17.020004	red/green	2,0/2,2V DC	–	40/40mcd at 20mA
17.020005	red/yellow	2,0/2,1V DC	–	40/20mcd at 20mA
17.020006	green/yellow	2,2/2,1V DC	–	40/20mcd at 20mA
Schwarzverchromter Metallreflektor / Black chrome bezel				
17.021004	red/green	2,0/2,2V DC	–	40/40mcd at 20mA
17.021005	red/yellow	2,0/2,1V DC	–	40/20mcd at 20mA
17.021006	green/yellow	2,2/2,1V DC	–	40/20mcd at 20mA
Mattverchromter Metallreflektor / Matt chrome bezel				
17.022004	red/green	2,0/2,2V DC	–	40/40mcd at 20mA
17.022005	red/yellow	2,0/2,1V DC	–	40/20mcd at 20mA
17.022006	green/yellow	2,2/2,1V DC	–	40/20mcd at 20mA

Maximale Frontplattenstärke 5,5mm / *Maximum panel thickness 5.5mm*

Farbwechsel durch Umpolung der Versorgungsspannung

This colour is changed by changing polarity of the supply voltage.

Außenreflektor zweifarbig mit Vorwiderstand IP40 / *Prominent (exterior) bezel bi-colour with resistor IP40*



Part Number	Colour	Voltage	Typ. Current	Typ. Lumi. Intensity
Hochglanzverchromter Metallreflektor / Satin chrome bezel				
17.020254	red/green	12V DC	20mA DC	40/40mcd
17.020255	red/yellow	12V DC	20mA DC	40/20mcd
17.020256	green/yellow	12V DC	20mA DC	40/20mcd
17.020354	red/green	24V DC	15mA DC	30/30mcd
17.020355	red/yellow	24V DC	15mA DC	30/15mcd
17.020356	green/yellow	24V DC	15mA DC	30/15mcd
Schwarzverchromter Metallreflektor / Black chrome bezel				
17.021254	red/green	12V DC	20mA DC	40/40mcd
17.021255	red/yellow	12V DC	20mA DC	40/20mcd
17.021256	green/yellow	12V DC	20mA DC	40/20mcd
17.021354	red/green	24V DC	15mA DC	30/30mcd
17.021355	red/yellow	24V DC	15mA DC	30/15mcd
17.021356	green/yellow	24V DC	15mA DC	30/15mcd
Mattverchromter Metallreflektor / Matt chrome bezel				
17.022254	red/green	12V DC	20mA DC	40/40mcd
17.022255	red/yellow	12V DC	20mA DC	40/20mcd
17.022256	green/yellow	12V DC	20mA DC	40/20mcd
17.022354	red/green	24V DC	15mA DC	30/30mcd
17.022355	red/yellow	24V DC	15mA DC	30/15mcd
17.022356	green/yellow	24V DC	15mA DC	30/15mcd

Maximale Frontplattenstärke 5,5mm / *Maximum panel thickness 5.5mm*

Farbwechsel durch Umpolung der Versorgungsspannung

This colour is changed by changing polarity of the supply voltage.

Andere Spannungen auf Anfrage / *Other voltages on request*





LED Signalleuchten LED Panel Mount Indicators

EINBAUURCHMESSER
MOUNTING HOLE

6 mm

8 mm

12 mm

14 mm

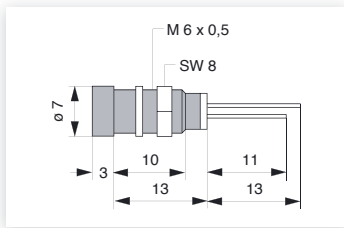
16 mm

19 mm

22 mm

ZUBEHÖR
ACCESSORIES

Innenreflektor zweifarbig ohne Vorwiderstand IP40 / Recessed (interior) bezel bi-colour without resistor IP40



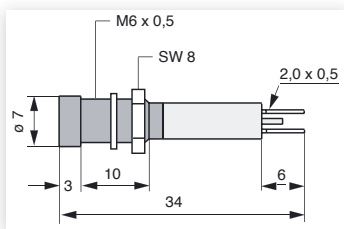
Part Number	Colour	Typ. Forward Voltage	Typ. Current	Typ. Lumi. Intensity
Hochglanzverchromter Metallreflektor / Satin chrome bezel				
17.030004	red/green	2,0/2,2V DC	–	40/40mcd at 20mA
17.030005	red/yellow	2,0/2,1V DC	–	40/20mcd at 20mA
17.030006	green/yellow	2,2/2,1V DC	–	40/20mcd at 20mA
Schwarzverchromter Metallreflektor / Black chrome bezel				
17.031004	red/green	2,0/2,2V DC	–	40/40mcd at 20mA
17.031005	red/yellow	2,0/2,1V DC	–	40/20mcd at 20mA
17.031006	green/yellow	2,2/2,1V DC	–	40/20mcd at 20mA
Mattverchromter Metallreflektor / Matt chrome bezel				
17.032004	red/green	2,0/2,2V DC	–	40/40mcd at 20mA
17.032005	red/yellow	2,0/2,1V DC	–	40/20mcd at 20mA
17.032006	green/yellow	2,2/2,1V DC	–	40/20mcd at 20mA

Maximale Frontplattenstärke 8mm / Maximum panel thickness 8mm

Farbwechsel durch Umpolung der Versorgungsspannung

This colour is changed by changing polarity of the supply voltage.

Innenreflektor zweifarbig mit Vorwiderstand IP40 / Recessed (interior) bezel bi-colour with resistor IP40



Part Number	Colour	Voltage	Typ. Current	Typ. Lumi. Intensity
Hochglanzverchromter Metallreflektor / Satin chrome bezel				
17.030254	red/green	12V DC	20mA DC	40/40mcd
17.030255	red/yellow	12V DC	20mA DC	40/20mcd
17.030256	green/yellow	12V DC	20mA DC	40/20mcd
17.030354	red/green	24V DC	15mA DC	30/30mcd
1.7030355	red/yellow	24V DC	15mA DC	30/15mcd
17.030356	green/yellow	24V DC	15mA DC	30/15mcd
Schwarzverchromter Metallreflektor / Black chrome bezel				
17.031254	red/green	12V DC	20mA DC	40/40mcd
17.031255	red/yellow	12V DC	20mA DC	40/20mcd
17.031256	green/yellow	12V DC	20mA DC	40/20mcd
17.031354	red/green	24V DC	15mA DC	30/30mcd
17.031355	red/yellow	24V DC	15mA DC	30/15mcd
17.031356	green/yellow	24V DC	15mA DC	30/15mcd
Mattverchromter Metallreflektor / Matt chrome bezel				
17.032254	red/green	12V DC	20mA DC	40/40mcd
17.032255	red/yellow	12V DC	20mA DC	40/20mcd
17.032256	green/yellow	12V DC	20mA DC	40/20mcd
17.032354	red/green	24V DC	15mA DC	30/30mcd
17.032355	red/yellow	24V DC	15mA DC	30/15mcd
17.032356	green/yellow	24V DC	15mA DC	30/15mcd

Maximale Frontplattenstärke 8mm / Maximum panel thickness 8mm

Farbwechsel durch Umpolung der Versorgungsspannung

This colour is changed by changing polarity of the supply voltage.

Andere Spannungen auf Anfrage / Other voltages on request





LED Signalleuchten LED Panel Mount Indicators

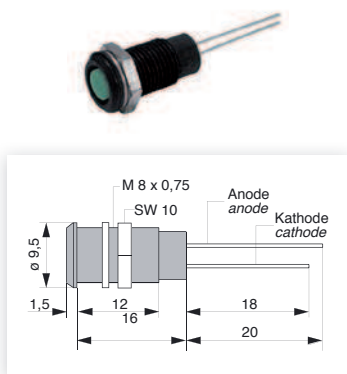
LED Signalleuchten für den Einbaudurchmesser von 8mm (+0,2mm) sind mit hellen, verschiedenfarbigen, diffusen 5mm LEDs bzw. Linsen bestückt. Sie sind mit hochglanzverchromten, schwarzverchromten oder mattverchromten Messingreflektoren lieferbar. Der Anschluss erfolgt in der Regel über Flachstecker 2,8 x 0,8mm. Die entsprechenden Flachsteckhülsen finden Sie auf der Zubehör-Seite. Die Montage der LED Signalleuchten erfolgt mittels der mitgelieferten Sprengringe und Muttern.

Messingflachstecker = Anode (+)
verzinnter Flachstecker = Kathode (-)

LED panel mount indicators for a 8mm (+0.2mm) mounting hole are manufactured with high brightness coloured diffused 5mm LEDs or lenses. These LEDs or lenses are fitted in high quality satin chrome, black chrome or matt chrome metal bezels, supplied with fixing nut and washer. Connection is usually by faston tab terminals 2.8 x 0.8mm. Suitable crimp connectors can be found on the page for accessories.

Brass terminals = anode (+)
Tinned terminals = cathode (-)

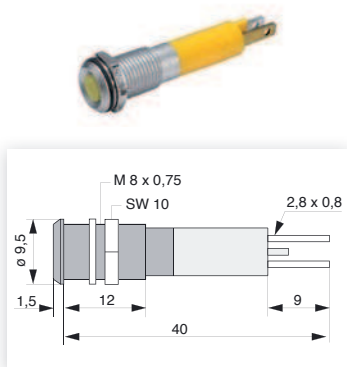
Superflacher Reflektor ohne Vorwiderstand IP40 / Superflat bezel without resistor IP40



Part Number	Colour	Typ. Forward Voltage	Typ. Current	Typ. Lumi. Intensity
Hochglanzverchromter Metallreflektor / Satin chrome bezel				
17.01003	red	2,0V DC	–	13mcd at 20mA
17.01001	green	2,2V DC	–	8mcd at 20mA
17.01002	yellow	2,1V DC	–	8mcd at 20mA
Schwarzverchromter Metallreflektor / Black chrome bezel				
17.011003	red	2,0V DC	–	13mcd at 20mA
17.011001	green	2,2V DC	–	8mcd at 20mA
17.011002	yellow	2,1V DC	–	8mcd at 20mA
Mattverchromter Metallreflektor / Matt chrome bezel				
17.012003	red	2,0V DC	–	13mcd at 20mA
17.012001	green	2,2V DC	–	8mcd at 20mA
17.012002	yellow	2,1V DC	–	8mcd at 20mA

Maximale Frontplattenstärke 10mm / Maximum panel thickness 10mm

Superflacher Reflektor mit Vorwiderstand IP67 / Superflat bezel with resistor IP67



Part Number	Colour	Voltage	Typ. Current	Typ. Lumi. Intensity
Hochglanzverchromter Metallreflektor / Satin chrome bezel				
17.010253	red	12V DC	20mA DC	13mcd
17.010251	green	12V DC	20mA DC	8mcd
17.010252	yellow	12V DC	20mA DC	8mcd
17.010353	red	24V DC	20mA DC	13mcd
17.010351	green	24V DC	20mA DC	8mcd
17.010352	yellow	24V DC	20mA DC	8mcd
Schwarzverchromter Metallreflektor / Black chrome bezel				
17.011253	red	12V DC	20mA DC	13mcd
17.011251	green	12V DC	20mA DC	8mcd
17.011252	yellow	12V DC	20mA DC	8mcd
17.011353	red	24V DC	20mA DC	13mcd
17.011351	green	24V DC	20mA DC	8mcd
17.011352	yellow	24V DC	20mA DC	8mcd
Mattverchromter Metallreflektor / Matt chrome bezel				
17.012253	red	12V DC	20mA DC	13mcd
17.012251	green	12V DC	20mA DC	8mcd
17.012252	yellow	12V DC	20mA DC	8mcd
17.012353	red	24V DC	20mA DC	13mcd
17.012351	green	24V DC	20mA DC	8mcd
17.012352	yellow	24V DC	20mA DC	8mcd

Maximale Frontplattenstärke 10mm / Maximum panel thickness 10mm

Andere Spannungen auf Anfrage / Other voltages on request

EINBAUDURCHMESSER
MOUNTING HOLE

6 mm

8 mm

12 mm

14 mm

16 mm

19 mm

22 mm

ZUBEHÖR
ACCESSORIES





LED Signalleuchten LED Panel Mount Indicators

EINBAUURCHMESSER
MOUNTING HOLE

6 mm

8 mm

12 mm

14 mm

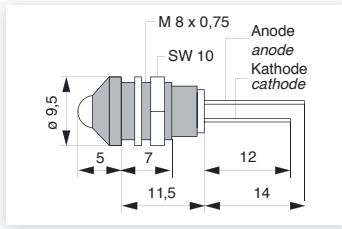
16 mm

19 mm

22 mm

ZUBEHÖR
ACCESSORIES

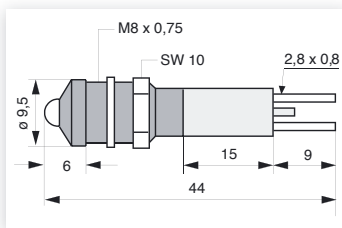
Außenreflektor ohne Vorwiderstand IP40 / *Prominent (exterior) bezel without resistor IP40*



Part Number	Colour	Typ. Forward Voltage	Typ. Current	Typ. Lumi. Intensity
Hochglanzverchromter Metallreflektor / Satin chrome bezel				
17.040003	red	2,0V DC	–	80mcd at 20mA
17.040001	green	2,2V DC	–	32mcd at 20mA
17.040002	yellow	2,1V DC	–	32mcd at 20mA
17.040007	blue	4,5V DC	–	60mcd at 20mcd
17.0400W5D	white	3,2V DC	–	2000mcd at 20mcd
Schwarzverchromter Metallreflektor / Black chrome bezel				
17.041003	red	2,0V DC	–	80mcd at 20mA
17.041001	green	2,2V DC	–	32mcd at 20mA
17.041002	yellow	2,1V DC	–	32mcd at 20mA
17.041007	blue	4,5V DC	–	60mcd at 20mcd
17.04100W5D	white	3,2V DC	–	2000mcd at 20mcd
Mattverchromter Metallreflektor / Matt chrome bezel				
17.042003	red	2,0V DC	–	80mcd at 20mA
17.042001	green	2,2V DC	–	32mcd at 20mA
17.042002	yellow	2,1V DC	–	32mcd at 20mA
17.042007	blue	4,5V DC	–	60mcd at 20mcd
17.04200W5D	white	3,2V DC	–	2000mcd at 20mcd

Maximale Frontplattenstärke 5,5mm / Maximum panel thickness 5.5mm

Außenreflektor mit Vorwiderstand IP67 / *Prominent (exterior) bezel with resistor IP67*



Part Number	Colour	Voltage	Typ. Current	Typ. Lumi. Intensity
Hochglanzverchromter Metallreflektor / Satin chrome bezel				
17.040253	red	12V DC	20mA DC	80mcd
17.040251	green	12V DC	20mA DC	32mcd
17.040252	yellow	12V DC	20mA DC	32mcd
17.040257	blue	12V DC	20mA DC	60mcd
17.040353	red	24V DC	20mA DC	80mcd
17.040351	green	24V DC	20mA DC	32mcd
17.040352	yellow	24V DC	20mA DC	32mcd
17.040357	blue	24V DC	20mA DC	60mcd
Schwarzverchromter Metallreflektor / Black chrome bezel				
17.041253	red	12V DC	20mA DC	80mcd
17.041251	green	12V DC	20mA DC	32mcd
17.041252	yellow	12V DC	20mA DC	32mcd
17.041257	blue	12V DC	20mA DC	60mcd
17.041353	red	24V DC	20mA DC	80mcd
17.041351	green	24V DC	20mA DC	32mcd
17.041352	yellow	24V DC	20mA DC	32mcd
17.041357	blue	24V DC	20mA DC	60mcd
Mattverchromter Metallreflektor / Matt chrome bezel				
17.042253	red	12V DC	20mA DC	80mcd
17.042251	green	12V DC	20mA DC	32mcd
17.042252	yellow	12V DC	20mA DC	32mcd
17.042257	blue	12V DC	20mA DC	60mcd
17.042353	red	24V DC	20mA DC	80mcd
17.042351	green	24V DC	20mA DC	32mcd
17.042352	yellow	24V DC	20mA DC	32mcd
17.042357	blue	24V DC	20mA DC	60mcd

Maximale Frontplattenstärke 5,5mm / Maximum panel thickness 5.5mm
Andere Spannungen auf Anfrage / Other voltages on request

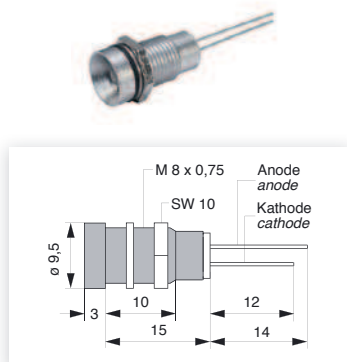




LED Signalleuchten LED Panel Mount Indicators

EINBAUDURCHMESSER
MOUNTING HOLE

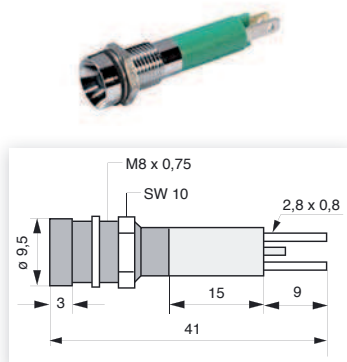
Innenreflektor ohne Vorwiderstand IP40 / Recessed (interior) bezel without resistor IP40



Part Number	Colour	Typ. Forward Voltage	Typ. Current	Typ. Lumi. Intensity
Hochglanzverchromter Metallreflektor / Satin chrome bezel				
17.050003	red	2,0V DC	–	80mcd at 20mA
17.050001	green	2,2V DC	–	32mcd at 20mA
17.050002	yellow	2,1V DC	–	32mcd at 20mA
17.050007	blue	4,5V DC	–	60mcd at 20mcd
17.05000W5D	white	3,2V DC	–	2000mcd at 20mcd
Schwarzverchromter Metallreflektor / Black chrome bezel				
17.051003	red	2,0V DC	–	80mcd at 20mA
17.051001	green	2,2V DC	–	32mcd at 20mA
17.051002	yellow	2,1V DC	–	32mcd at 20mA
17.051007	blue	4,5V DC	–	60mcd at 20mcd
17.05100W5D	white	3,2V DC	–	2000mcd at 20mcd
Mattverchromter Metallreflektor / Matt chrome bezel				
17.052003	red	2,0V DC	–	80mcd at 20mA
17.052001	green	2,2V DC	–	32mcd at 20mA
17.052002	yellow	2,1V DC	–	32mcd at 20mA
17.052007	blue	4,5V DC	–	60mcd at 20mcd
17.05200W5D	white	3,2V DC	–	2000mcd at 20mcd

Maximale Frontplattenstärke 8mm / Maximum panel thickness 8mm

Innenreflektor mit Vorwiderstand IP67 / Recessed (interior) bezel with resistor IP67



Part Number	Colour	Voltage	Typ. Current	Typ. Lumi. Intensity
Hochglanzverchromter Metallreflektor / Satin chrome bezel				
17.050253	red	12V DC	20mA DC	80mcd
17.050251	green	12V DC	20mA DC	32mcd
17.050252	yellow	12V DC	20mA DC	32mcd
17.050257	blue	12V DC	20mA DC	60mcd
17.050353	red	24V DC	20mA DC	80mcd
17.050351	green	24V DC	20mA DC	32mcd
17.050352	yellow	24V DC	20mA DC	32mcd
17.050357	blue	24V DC	20mA DC	60mcd
Schwarzverchromter Metallreflektor / Black chrome bezel				
17.051253	red	12V DC	20mA DC	80mcd
17.051251	green	12V DC	20mA DC	32mcd
17.051252	yellow	12V DC	20mA DC	32mcd
17.051257	blue	12V DC	20mA DC	60mcd
17.051353	red	24V DC	20mA DC	80mcd
17.051351	green	24V DC	20mA DC	32mcd
17.051352	yellow	24V DC	20mA DC	32mcd
17.051357	blue	24V DC	20mA DC	60mcd
Mattverchromter Metallreflektor / Matt chrome bezel				
17.052253	red	12V DC	20mA DC	80mcd
17.052251	green	12V DC	20mA DC	32mcd
17.052252	yellow	12V DC	20mA DC	32mcd
17.052257	blue	12V DC	20mA DC	60mcd
17.052353	red	24V DC	20mA DC	80mcd
17.052351	green	24V DC	20mA DC	32mcd
17.052352	yellow	24V DC	20mA DC	32mcd
17.052357	blue	24V DC	20mA DC	60mcd

Maximale Frontplattenstärke 8mm / Maximum panel thickness 8mm

Andere Spannungen auf Anfrage / Other voltages on request

8 mm

8 mm

12 mm

14 mm

16 mm

19 mm

22 mm

ZUBEHÖR
ACCESSORIES





LED Signalleuchten LED Panel Mount Indicators

EINBAUDURCHMESSER
MOUNTING HOLE

6 mm

8 mm

12 mm

14 mm

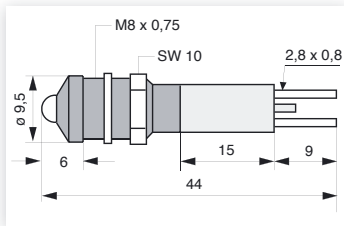
16 mm

19 mm

22 mm

ZUBEHÖR
ACCESSORIES

Außenreflektor Sonnenlicht tauglich mit Vorwiderstand und Einweggleichrichter IP67 / Prominent (exterior) bezel sunlight visible with resistor and half-wave rectifier IP67



Part Number	Colour	Voltage	Typ. Current	Typ. Lumi. Intensity
Hochglanzverchromter Metallreflektor / Satin chrome bezel				
17.080250	red	12V AC/DC	9mA AC / 17mA DC	1200mcd
17.080255	green	12V AC/DC	9mA AC / 17mA DC	1300mcd
17.080252	yellow	12V AC/DC	9mA AC / 17mA DC	1100mcd
17.080257	blue	12V AC/DC	9mA AC / 17mA DC	600mcd
17.08025W	white	12V AC/DC	3mA AC / 6mA DC	1000mcd
17.080350	red	24V AC/DC	9mA AC / 17mA DC	1200mcd
17.080355	green	24V AC/DC	9mA AC / 17mA DC	1300mcd
17.080352	yellow	24V AC/DC	9mA AC / 17mA DC	1100mcd
17.080357	blue	24V AC/DC	9mA AC / 17mA DC	600mcd
17.08035W	white	24V AC/DC	3mA AC / 6mA DC	1000mcd
Schwarzverchromter Metallreflektor / Black chrome bezel				
17.081250	red	12V AC/DC	9mA AC / 17mA DC	1200mcd
17.081255	green	12V AC/DC	9mA AC / 17mA DC	1300mcd
17.081252	yellow	12V AC/DC	9mA AC / 17mA DC	1100mcd
17.081257	blue	12V AC/DC	9mA AC / 17mA DC	600mcd
17.08125W	white	12V AC/DC	3mA AC / 6mA DC	1000mcd
17.081350	red	24V AC/DC	9mA AC / 17mA DC	1200mcd
17.081355	green	24V AC/DC	9mA AC / 17mA DC	1300mcd
17.081352	yellow	24V AC/DC	9mA AC / 17mA DC	1100mcd
17.081357	blue	24V AC/DC	9mA AC / 17mA DC	600mcd
17.08135W	white	24V AC/DC	3mA AC / 6mA DC	1000mcd
Mattverchromter Metallreflektor / Matt chrome bezel				
17.082250	red	12V AC/DC	9mA AC / 17mA DC	1200mcd
17.082255	green	12V AC/DC	9mA AC / 17mA DC	1300mcd
17.082252	yellow	12V AC/DC	9mA AC / 17mA DC	1100mcd
17.082257	blue	12V AC/DC	9mA AC / 17mA DC	600mcd
17.08225W	white	12V AC/DC	3mA AC / 6mA DC	1000mcd
17.082350	red	24V AC/DC	9mA AC / 17mA DC	1200mcd
17.082355	green	24V AC/DC	9mA AC / 17mA DC	1300mcd
17.082352	yellow	24V AC/DC	9mA AC / 17mA DC	1100mcd
17.082357	blue	24V AC/DC	9mA AC / 17mA DC	600mcd
17.08235W	white	24V AC/DC	3mA AC / 6mA DC	1000mcd

Lichtstärkedaten der verwendeten LED bei DC-Betrieb / Luminous intensity data of the LED on direct voltage
 Maximale Frontplattenstärke 5,5mm / Maximum panel thickness 5.5mm
 Andere Spannungen auf Anfrage / Other voltages on request

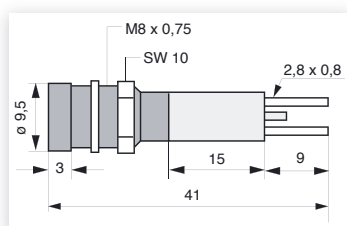




LED Signalleuchten LED Panel Mount Indicators

EINBAUDURCHMESSER
MOUNTING HOLE

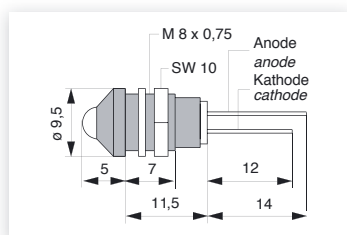
Innenreflektor Sonnenlicht tauglich mit Vorwiderstand und Einweggleichrichter IP67 / Recessed (interior) bezel sunlight visible with resistor and half-wave rectifier IP67



Part Number	Colour	Voltage	Typ. Current	Typ. Lumi. Intensity
Hochglanzverchromter Metallreflektor / Satin chrome bezel				
17.090250	red	12V AC/DC	9mA AC / 17mA DC	1200mcd
17.090255	green	12V AC/DC	9mA AC / 17mA DC	1300mcd
17.090252	yellow	12V AC/DC	9mA AC / 17mA DC	1100mcd
17.090257	blue	12V AC/DC	9mA AC / 17mA DC	600mcd
17.09025W	white	12V AC/DC	3mA AC / 6mA DC	1000mcd
17.090350	red	24V AC/DC	9mA AC / 17mA DC	1200mcd
17.090355	green	24V AC/DC	9mA AC / 17mA DC	1300mcd
17.090352	yellow	24V AC/DC	9mA AC / 17mA DC	1100mcd
17.090357	blue	24V AC/DC	9mA AC / 17mA DC	600mcd
17.09035W	white	24V AC/DC	3mA AC / 6mA DC	1000mcd
Schwarzverchromter Metallreflektor / Black chrome bezel				
17.091250	red	12V AC/DC	9mA AC / 17mA DC	1200mcd
17.091255	green	12V AC/DC	9mA AC / 17mA DC	1300mcd
17.091252	yellow	12V AC/DC	9mA AC / 17mA DC	1100mcd
17.091257	blue	12V AC/DC	9mA AC / 17mA DC	600mcd
17.09125W	white	12V AC/DC	3mA AC / 6mA DC	1000mcd
17.091350	red	24V AC/DC	9mA AC / 17mA DC	1200mcd
17.091355	green	24V AC/DC	9mA AC / 17mA DC	1300mcd
17.091352	yellow	24V AC/DC	9mA AC / 17mA DC	1100mcd
17.091357	blue	24V AC/DC	9mA AC / 17mA DC	600mcd
17.09135W	white	24V AC/DC	3mA AC / 6mA DC	1000mcd
Mattverchromter Metallreflektor / Matt chrome bezel				
17.092250	red	12V AC/DC	9mA AC / 17mA DC	1200mcd
17.092255	green	12V AC/DC	9mA AC / 17mA DC	1300mcd
17.092252	yellow	12V AC/DC	9mA AC / 17mA DC	1100mcd
17.092257	blue	12V AC/DC	9mA AC / 17mA DC	600mcd
17.09225W	white	12V AC/DC	3mA AC / 6mA DC	1000mcd
17.092350	red	24V AC/DC	9mA AC / 17mA DC	1200mcd
17.092355	green	24V AC/DC	9mA AC / 17mA DC	1300mcd
17.092352	yellow	24V AC/DC	9mA AC / 17mA DC	1100mcd
17.092357	blue	24V AC/DC	9mA AC / 17mA DC	600mcd
17.09235W	white	24V AC/DC	3mA AC / 6mA DC	1000mcd

Lichtstärkedaten der verwendeten LED bei DC-Betrieb / Luminous intensity data of the LED on direct voltage
 Maximale Frontplattenstärke 8mm / Maximum panel thickness 8mm
 Andere Spannungen auf Anfrage / Other voltages on request

Außenreflektor blinkend IP40 / Prominent (exterior) bezel flashing IP40



Part Number	Colour	Voltage	Typ. Current	Typ. Lumi. Intensity
Hochglanzverchromter Metallreflektor / Satin chrome bezel				
17.060003	red	3,5-13V DC	38-56mA DC	80mcd at 20mA
17.060001	green	3,5-13V DC	38-56mA DC	32mcd at 20mA
17.060002	yellow	3,5-13V DC	38-56mA DC	32mcd at 20mA
Schwarzverchromter Metallreflektor / Black chrome bezel				
17.061003	red	3,5-13V DC	38-56mA DC	80mcd at 20mA
17.061001	green	3,5-13V DC	38-56mA DC	32mcd at 20mA
17.061002	yellow	3,5-13V DC	38-56mA DC	32mcd at 20mA
Mattverchromter Metallreflektor / Matt chrome bezel				
17.062003	red	3,5-13V DC	38-56mA DC	80mcd at 20mA
17.062001	green	3,5-13V DC	38-56mA DC	32mcd at 20mA
17.062002	yellow	3,5-13V DC	38-56mA DC	32mcd at 20mA

Maximale Frontplattenstärke 5,5mm / Maximum panel thickness 5.5mm

6 mm

8 mm

12 mm

14 mm

16 mm

19 mm

22 mm

ZUBEHÖR
ACCESSORIES





LED Signalleuchten LED Panel Mount Indicators

EINBAUURCHMESSER
MOUNTING HOLE

6 mm

8 mm

12 mm

14 mm

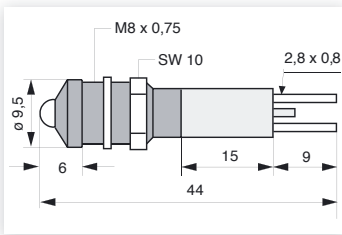
16 mm

19 mm

22 mm

ZUBEHÖR
ACCESSORIES

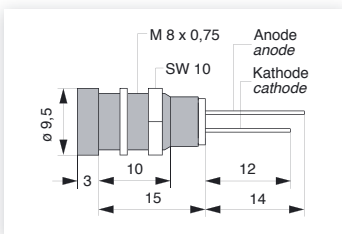
Außenreflektor blinkend IP67 / Prominent (exterior) bezel flashing IP67



Part Number	Colour	Voltage	Typ. Current	Typ. Lumi. Intensity
Hochglanzverchromter Metallreflektor / Satin chrome bezel				
17.060353	red	24V DC	38-56mA DC	80mcd at 20mA
17.060351	green	24V DC	38-56mA DC	32mcd at 20mA
17.060352	yellow	24V DC	38-56mA DC	32mcd at 20mA
Schwarzverchromter Metallreflektor / Black chrome bezel				
17.061353	red	24V DC	38-56mA DC	80mcd at 20mA
17.061351	green	24V DC	38-56mA DC	32mcd at 20mA
17.061352	yellow	24V DC	38-56mA DC	32mcd at 20mA
Mattverchromter Metallreflektor / Matt chrome bezel				
17.062353	red	24V DC	38-56mA DC	80mcd at 20mA
17.062351	green	24V DC	38-56mA DC	32mcd at 20mA
17.062352	yellow	24V DC	38-56mA DC	32mcd at 20mA

Maximale Frontplattenstärke 5,5mm / Maximum panel thickness 5.5mm

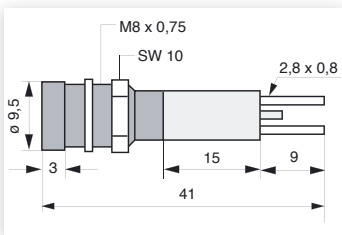
Innenreflektor blinkend IP40 / Recessed (interior) bezel flashing IP40



Part Number	Colour	Voltage	Typ. Current	Typ. Lumi. Intensity
Hochglanzverchromter Metallreflektor / Satin chrome bezel				
17.070003	red	3,5-13V DC	38-56mA DC	80mcd at 20mA
17.070001	green	3,5-13V DC	38-56mA DC	32mcd at 20mA
17.070002	yellow	3,5-13V DC	38-56mA DC	32mcd at 20mA
Schwarzverchromter Metallreflektor / Black chrome bezel				
17.071003	red	3,5-13V DC	38-56mA DC	80mcd at 20mA
17.071001	green	3,5-13V DC	38-56mA DC	32mcd at 20mA
17.071002	yellow	3,5-13V DC	38-56mA DC	32mcd at 20mA
Mattverchromter Metallreflektor / Matt chrome bezel				
17.072003	red	3,5-13V DC	38-56mA DC	80mcd at 20mA
17.072001	green	3,5-13V DC	38-56mA DC	32mcd at 20mA
17.072002	yellow	3,5-13V DC	38-56mA DC	32mcd at 20mA

Maximale Frontplattenstärke 8mm / Maximum panel thickness 8mm

Innenreflektor blinkend IP67 / Recessed (interior) bezel flashing IP67



Part Number	Colour	Voltage	Typ. Current	Typ. Lumi. Intensity
Hochglanzverchromter Metallreflektor / Satin chrome bezel				
17.070353	red	24V DC	38-56mA DC	80mcd at 20mA
17.070351	green	24V DC	38-56mA DC	32mcd at 20mA
17.070352	yellow	24V DC	38-56mA DC	32mcd at 20mA
Schwarzverchromter Metallreflektor / Black chrome bezel				
17.071353	red	24V DC	38-56mA DC	80mcd at 20mA
17.071351	green	24V DC	38-56mA DC	32mcd at 20mA
17.071352	yellow	24V DC	38-56mA DC	32mcd at 20mA
Mattverchromter Metallreflektor / Matt chrome bezel				
17.072353	red	24V DC	38-56mA DC	80mcd at 20mA
17.072351	green	24V DC	38-56mA DC	32mcd at 20mA
17.072352	yellow	24V DC	38-56mA DC	32mcd at 20mA

Maximale Frontplattenstärke 8mm / Maximum panel thickness 8mm

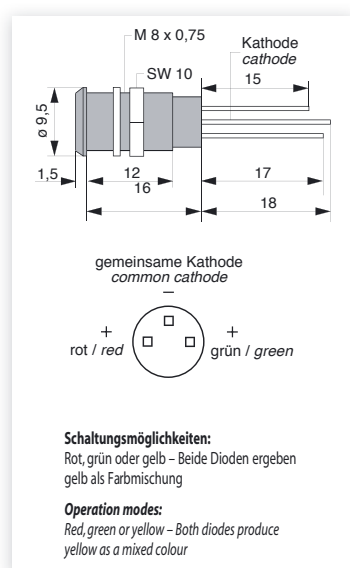




LED Signalleuchten LED Panel Mount Indicators

EINBAUDURCHMESSER
MOUNTING HOLE

Superflacher Reflektor dreifarbig ohne Vorwiderstand IP40 / Superflat bezel tri-colour without resistor IP40



Part Number	Colour	Typ. Forward Voltage	Typ. Current	Typ. Lumi. Intensity
Hochglanzverchromter Metallreflektor / Satin chrome bezel				
17.100004	red/green/yellow	2,1/2,2/2,2V DC	–	3/3/6mcd at 20mA
Schwarzverchromter Metallreflektor / Black chrome bezel				
17.101004	red/green/yellow	2,1/2,2/2,2V DC	–	3/3/6mcd at 20mA
Mattverchromter Metallreflektor / Matt chrome bezel				
17.102004	red/green/yellow	2,1/2,2/2,2V DC	–	3/3/6mcd at 20mA

Maximale Frontplattenstärke 10mm / Maximum panel thickness 10mm

6 mm

8 mm

12 mm

14 mm

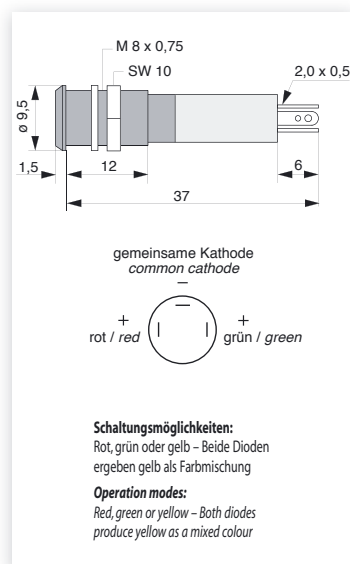
16 mm

19 mm

22 mm

ZUBEHÖR
ACCESSORIES

Superflacher Reflektor dreifarbig mit Vorwiderstand IP67 / Superflat bezel tri-colour with resistor IP67



Part Number	Colour	Voltage	Typ. Current	Typ. Lumi. Intensity
Hochglanzverchromter Metallreflektor / Satin chrome bezel				
17.100254	red/green/yellow	12V DC	15/15/30mA DC	3/3/6mcd
17.100354	red/green/yellow	24V DC	15/15/30mA DC	3/3/6mcd
Schwarzverchromter Metallreflektor / Black chrome bezel				
17.101254	red/green/yellow	12V DC	15/15/30mA DC	3/3/6mcd
17.101354	red/green/yellow	24V DC	15/15/30mA DC	3/3/6mcd
Mattverchromter Metallreflektor / Matt chrome bezel				
17.102254	red/green/yellow	12V DC	15/15/30mA DC	3/3/6mcd
17.102354	red/green/yellow	24V DC	15/15/30mA DC	3/3/6mcd

Maximale Frontplattenstärke 10mm / Maximum panel thickness 10mm

Andere Spannungen auf Anfrage / Other voltages on request





LED Signalleuchten LED Panel Mount Indicators

EINBAUURCHMESSER
MOUNTING HOLE

6 mm

8 mm

12 mm

14 mm

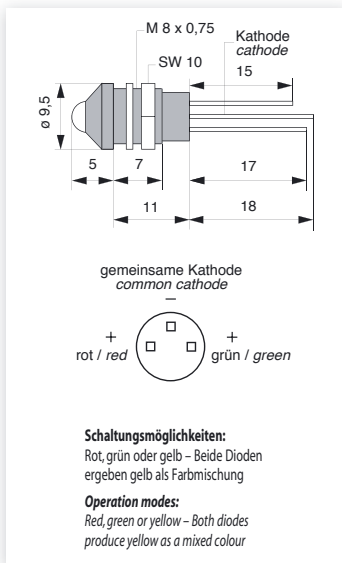
16 mm

19 mm

22 mm

ZUBEHÖR
ACCESSORIES

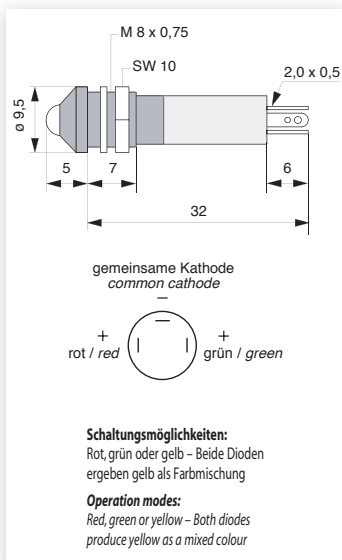
Außenreflektor dreifarbig ohne Vorwiderstand IP40 / Prominent (exterior) bezel tri-colour without resistor IP40



Part Number	Colour	Typ. Forward Voltage	Typ. Current	Typ. Lumi. Intensity
Hochglanzverchromter Metallreflektor / Satin chrome bezel				
17.120004	red/green/yellow	2,1/2,2/2,2V DC	-	10/20/30mcd at 20mA
Schwarzverchromter Metallreflektor / Black chrome bezel				
17.121004	red/green/yellow	2,1/2,2/2,2V DC	-	10/20/30mcd at 20mA
Mattverchromter Metallreflektor / Matt chrome bezel				
17.122004	red/green/yellow	2,1/2,2/2,2V DC	-	10/20/30mcd at 20mA

Maximale Frontplattenstärke 5,5mm / Maximum panel thickness 5.5mm

Außenreflektor dreifarbig mit Vorwiderstand IP67 / Prominent (exterior) bezel tri-colour with resistor IP67



Part Number	Colour	Voltage	Typ. Current	Typ. Lumi. Intensity
Hochglanzverchromter Metallreflektor / Satin chrome bezel				
17.TR0A12	red/green/yellow	12V DC	20/20/40mA DC	10/20/30mcd
17.TR0A24	red/green/yellow	24V DC	15/15/30mA DC	8/15/23mcd
Schwarzverchromter Metallreflektor / Black chrome bezel				
17.TR1A12	red/green/yellow	12V DC	20/20/40mA DC	10/20/30mcd
17.TR1A24	red/green/yellow	24V DC	15/15/30mA DC	8/15/23mcd
Mattverchromter Metallreflektor / Matt chrome bezel				
17.TR2A12	red/green/yellow	12V DC	20/20/40mA DC	10/20/30mcd
17.TR2A24	red/green/yellow	24V DC	15/15/30mA DC	8/15/23mcd

Maximale Frontplattenstärke 5,5mm / Maximum panel thickness 5.5mm
Andere Spannungen auf Anfrage / Other voltages on request

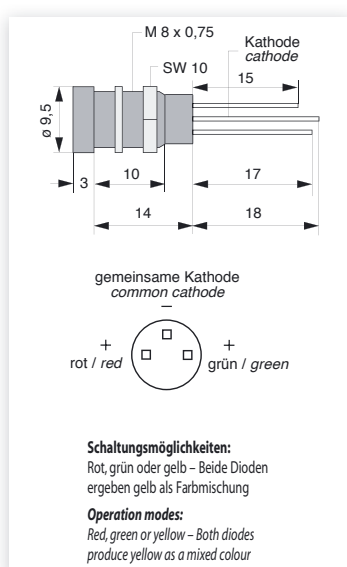




LED Signalleuchten LED Panel Mount Indicators

EINBAUDURCHMESSER
MOUNTING HOLE

Innenreflektor dreifarbig ohne Vorwiderstand IP40 / Recessed (interior) bezel tri-colour without resistor IP40



Part Number	Colour	Typ. Forward Voltage	Typ. Current	Typ. Lumi. Intensity
Hochglanzverchromter Metallreflektor / Satin chrome bezel				
17.130004	red/green/yellow	2,1/2,2/2,2V DC	–	10/20/30mcd at 20mA
Schwarzverchromter Metallreflektor / Black chrome bezel				
17.131004	red/green/yellow	2,1/2,2/2,2V DC	–	10/20/30mcd at 20mA
Mattverchromter Metallreflektor / Matt chrome bezel				
17.132004	red/green/yellow	2,1/2,2/2,2V DC	–	10/20/30mcd at 20mA

Maximale Frontplattenstärke 8mm / Maximum panel thickness 8mm

6 mm

8 mm

12 mm

14 mm

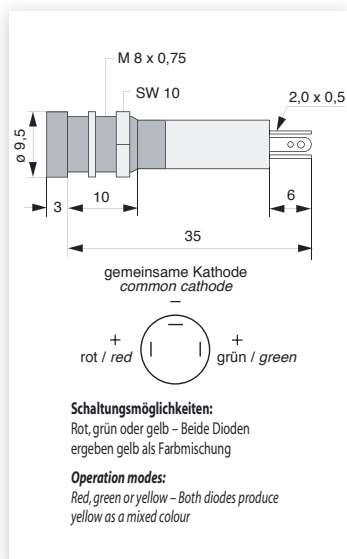
16 mm

19 mm

22 mm

ZUBEHÖR
ACCESSORIES

Innenreflektor dreifarbig mit Vorwiderstand IP67 / Recessed (interior) bezel tri-colour with resistor IP67



Part Number	Colour	Voltage	Typ. Current	Typ. Lumi. Intensity
Hochglanzverchromter Metallreflektor / Satin chrome bezel				
17.TR0112	red/green/yellow	12V DC	20/20/40mA DC	10/20/30mcd
17.TR0124	red/green/yellow	24V DC	15/15/30mA DC	8/15/23mcd
Schwarzverchromter Metallreflektor / Black chrome bezel				
17.TR1112	red/green/yellow	12V DC	20/20/40mA DC	10/20/30mcd
17.TR1124	red/green/yellow	24V DC	15/15/30mA DC	8/15/23mcd
Mattverchromter Metallreflektor / Matt chrome bezel				
17.TR2112	red/green/yellow	12V DC	20/20/40mA DC	10/20/30mcd
17.TR2124	red/green/yellow	24V DC	15/15/30mA DC	8/15/23mcd

Maximale Frontplattenstärke 8mm / Maximum panel thickness 8mm
Andere Spannungen auf Anfrage / Other voltages on request





LED Signalleuchten LED Panel Mount Indicators

EINBAUURCHMESSER
MOUNTING HOLE

6 mm

8 mm

12 mm

14 mm

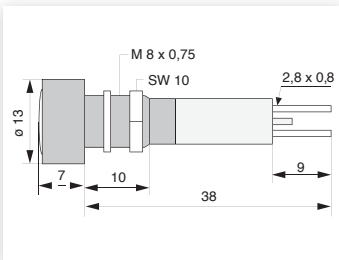
16 mm

19 mm

22 mm

ZUBEHÖR
ACCESSORIES

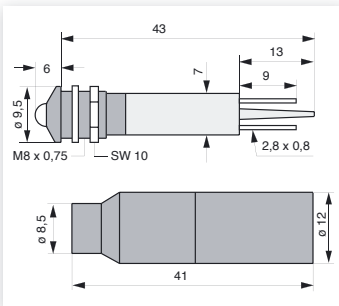
Extrahelle LED mit Optik mit Vorwiderstand IP67 / Super bright LED with optic with resistor IP67



Part Number	Colour	Voltage	Typ. Current	Typ. Lumi. Intensity
17.180350A	red	24V DC	22mA DC	8800mcd
17.180351A	green	24V DC	21mA DC	20000mcd
17.180352A	yellow	24V DC	22mA DC	6600mcd
17.180357A	blue	24V DC	21mA DC	4400mcd
17.18035VA	white	24V DC	21mA DC	7350mcd

Maximale Frontplattenstärke 8,5mm / Maximum panel thickness 8.5mm
Andere Spannungen auf Anfrage / Other voltages on request

Außenreflektor 130/230V AC mit Berührungsschutzhülse IP67 / Prominent (exterior) bezel 130/230V AC with protection tube IP67



Part Number	Colour	Voltage	Typ. Current	Typ. Lumi. Intensity
Hochglanzverchromter Metallreflektor / Satin chrome bezel				
17.510330	red	130V AC	5mA AC	36mcd
17.510331	green	130V AC	5mA AC	10mcd
17.510332	yellow	130V AC	5mA AC	15mcd
17.510337	blue	130V AC	5mA AC	125mcd
17.51033W	white	130V AC	5mA AC	300mcd
17.510430	red	230V AC	3mA AC	22mcd
17.510431	green	230V AC	3mA AC	5mcd
17.510432	yellow	230V AC	3mA AC	7mcd
17.510437	blue	230V AC	3mA AC	75mcd
17.51043W	white	230V AC	3mA AC	180mcd
Schwarzverchromter Metallreflektor / Black chrome bezel				
17.511330	red	130V AC	5mA AC	36mcd
17.511331	green	130V AC	5mA AC	10mcd
17.511332	yellow	130V AC	5mA AC	15mcd
17.511337	blue	130V AC	5mA AC	125mcd
17.51133W	white	130V AC	5mA AC	300mcd
17.511430	red	230V AC	3mA AC	22mcd
17.511431	green	230V AC	3mA AC	5mcd
17.511432	yellow	230V AC	3mA AC	7mcd
17.511437	blue	230V AC	3mA AC	75mcd
17.51143W	white	230V AC	3mA AC	180mcd
Mattverchromter Metallreflektor / Matt chrome bezel				
17.512330	red	130V AC	5mA AC	36mcd
17.512331	green	130V AC	5mA AC	10mcd
17.512332	yellow	130V AC	5mA AC	15mcd
17.512337	blue	130V AC	5mA AC	125mcd
17.51233W	white	130V AC	5mA AC	300mcd
17.512430	red	230V AC	3mA AC	22mcd
17.512431	green	230V AC	3mA AC	5mcd
17.512432	yellow	230V AC	3mA AC	7mcd
17.512437	blue	230V AC	3mA AC	75mcd
17.51243W	white	230V AC	3mA AC	180mcd

Maximale Frontplattenstärke 5,5mm / Maximum panel thickness 5.5mm
Andere Spannungen auf Anfrage / Other voltages on request





LED Signalleuchten LED Panel Mount Indicators

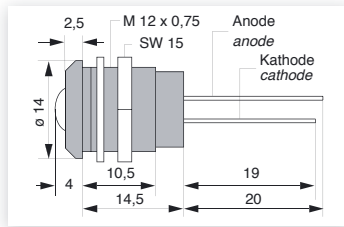
LED Signalleuchten für den Einbaudurchmesser von 12mm (+0,2mm) sind mit hellen, verschiedenfarbigen, diffusen 8mm LEDs bzw. Linsen bestückt. Sie sind mit hochglanzverchromten, schwarzverchromten oder mattverchromten Messingreflektoren lieferbar. Der Anschluss erfolgt in der Regel über Flachstecker 2,8 x 0,8mm. Die entsprechenden Flachsteckhülsen finden Sie auf der Zubehör-Seite. Die Montage der LED Signalleuchten erfolgt mittels der mitgelieferten Sprengringe und Muttern.

Messingflachstecker = Anode (+)
verzinnter Flachstecker = Kathode (-)

LED panel mount indicators for a 12mm (+0.2mm) mounting hole are manufactured with high brightness coloured diffused 8mm LEDs or lenses. These LEDs or lenses are fitted in high quality satin chrome, black chrome or matt chrome metal bezels, supplied with fixing nut and washer. Connection is usually by faston tab terminals 2.8 x 0.8mm. Suitable crimp connectors can be found on the page for accessories.

Brass terminals = anode (+)
Tinned terminals = cathode (-)

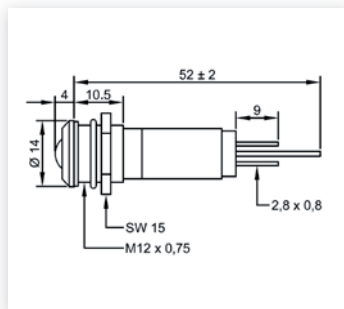
Standardreflektor ohne Vorwiderstand IP40 / Standard bezel without resistor IP40



Part Number	Colour	Typ. Forward Voltage	Typ. Current	Typ. Lumi. Intensity
Hochglanzverchromter Metallreflektor / Satin chrome bezel				
17.2D0000	red	2,0V DC	–	60mcd at 20mA
17.2D0001	green	2,2V DC	–	40mcd at 20mA
17.2D0002	yellow	2,1V DC	–	40mcd at 20mA
Schwarzverchromter Metallreflektor / Black chrome bezel				
17.2D1000	red	2,0V DC	–	60mcd at 20mA
17.2D1001	green	2,2V DC	–	40mcd at 20mA
17.2D1002	yellow	2,1V DC	–	40mcd at 20mA
Mattverchromter Metallreflektor / Matt chrome bezel				
17.2D2000	red	2,0V DC	–	60mcd at 20mA
17.2D2001	green	2,2V DC	–	40mcd at 20mA
17.2D2002	yellow	2,1V DC	–	40mcd at 20mA

Maximale Frontplattenstärke 8,5mm / Maximum panel thickness 8.5mm

Standardreflektor Sonnenlicht tauglich mit Vorwiderstand und Einweggleichrichter IP67 / Standard bezel sunlight visible with resistor and half-wave rectifier IP67



Part Number	Colour	Voltage	Typ. Current	Typ. Lumi. Intensity
Hochglanzverchromter Metallreflektor / Satin chrome bezel				
17.2D0250	red	12V AC/DC	9mA AC / 17mA DC	400mcd
17.2D0251	green	12V AC/DC	9mA AC / 17mA DC	1200mcd
17.2D0252	yellow	12V AC/DC	9mA AC / 17mA DC	350mcd
17.2D0257	blue	12V AC/DC	9mA AC / 17mA DC	450mcd
17.2D025W	white	12V AC/DC	9mA AC / 17mA DC	850mcd
17.2D0350	red	24V AC/DC	9mA AC / 17mA DC	400mcd
17.2D0351	green	24V AC/DC	9mA AC / 17mA DC	1200mcd
17.2D0352	yellow	24V AC/DC	9mA AC / 17mA DC	350mcd
17.2D0357	blue	24V AC/DC	9mA AC / 17mA DC	450mcd
17.2D035W	white	24V AC/DC	9mA AC / 17mA DC	850mcd
Schwarzverchromter Metallreflektor / Black chrome bezel				
17.2D1250	red	12V AC/DC	9mA AC / 17mA DC	400mcd
17.2D1251	green	12V AC/DC	9mA AC / 17mA DC	1200mcd
17.2D1252	yellow	12V AC/DC	9mA AC / 17mA DC	350mcd
17.2D1257	blue	12V AC/DC	9mA AC / 17mA DC	450mcd
17.2D125W	white	12V AC/DC	9mA AC / 17mA DC	850mcd
17.2D1350	red	24V AC/DC	9mA AC / 17mA DC	400mcd
17.2D1351	green	24V AC/DC	9mA AC / 17mA DC	1200mcd
17.2D1352	yellow	24V AC/DC	9mA AC / 17mA DC	350mcd
17.2D1357	blue	24V AC/DC	9mA AC / 17mA DC	450mcd
17.2D135W	white	24V AC/DC	9mA AC / 17mA DC	850mcd
Mattverchromter Metallreflektor / Matt chrome bezel				
17.2D2250	red	12V AC/DC	9mA AC / 17mA DC	400mcd
17.2D2251	green	12V AC/DC	9mA AC / 17mA DC	1200mcd
17.2D2252	yellow	12V AC/DC	9mA AC / 17mA DC	350mcd
17.2D2257	blue	12V AC/DC	9mA AC / 17mA DC	450mcd
17.2D225W	white	12V AC/DC	9mA AC / 17mA DC	850mcd
17.2D2350	red	24V AC/DC	9mA AC / 17mA DC	400mcd
17.2D2351	green	24V AC/DC	9mA AC / 17mA DC	1200mcd
17.2D2352	yellow	24V AC/DC	9mA AC / 17mA DC	350mcd
17.2D2357	blue	24V AC/DC	9mA AC / 17mA DC	450mcd
17.2D235W	white	24V AC/DC	9mA AC / 17mA DC	850mcd

Lichtstärkedaten der verwendeten LED bei DC-Betrieb / Luminous intensity data of the LED on direct voltage

Maximale Frontplattenstärke 8,5mm / Maximum panel thickness 8.5mm

Andere Spannungen auf Anfrage / Other voltages on request



EINBAUDURCHMESSER
MOUNTING HOLE

6 mm

8 mm

12 mm

14 mm

16 mm

19 mm

22 mm

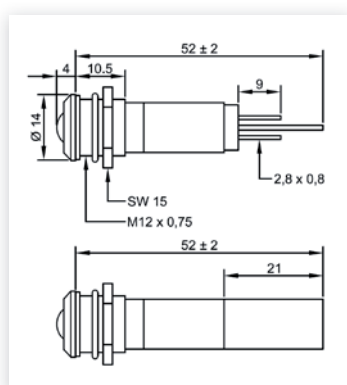
ZUBEHÖR
ACCESSORIES



LED Signalleuchten

LED Panel Mount Indicators

Standardreflektor 130/230V AC mit Berührungsschutzhülse IP67 / Standard bezel 130/230V AC with protection tube IP67



Part Number	Colour	Voltage	Typ. Current	Typ. Lumi. Intensity
Hochglanzverchromter Metallreflektor / Satin chrome bezel				
17.2D0130	red	130V AC	6mA AC	140mcd
17.2D0131	green	130V AC	6mA AC	400mcd
17.2D0132	yellow	130V AC	6mA AC	120mcd
17.2D0137	blue	130V AC	6mA AC	160mcd
17.2D013W	white	130V AC	6mA AC	300mcd
17.2D0230	red	230V AC	3mA AC	70mcd
17.2D0231	green	230V AC	3mA AC	200mcd
17.2D0232	yellow	230V AC	3mA AC	60mcd
17.2D0237	blue	230V AC	3mA AC	80mcd
17.2D023W	white	230V AC	3mA AC	150mcd
Schwarzverchromter Metallreflektor / Black chrome bezel				
17.2D1130	red	130V AC	6mA AC	140mcd
17.2D1131	green	130V AC	6mA AC	400mcd
17.2D1132	yellow	130V AC	6mA AC	120mcd
17.2D1137	blue	130V AC	6mA AC	160mcd
17.2D113W	white	130V AC	6mA AC	300mcd
17.2D1230	red	230V AC	3mA AC	70mcd
17.2D1231	green	230V AC	3mA AC	200mcd
17.2D1232	yellow	230V AC	3mA AC	60mcd
17.2D1237	blue	230V AC	3mA AC	80mcd
17.2D123W	white	230V AC	3mA AC	150mcd
Mattverchromter Metallreflektor / Matt chrome bezel				
17.2D2130	red	130V AC	6mA AC	140mcd
17.2D2131	green	130V AC	6mA AC	400mcd
17.2D2132	yellow	130V AC	6mA AC	120mcd
17.2D2137	blue	130V AC	6mA AC	160mcd
17.2D213W	white	130V AC	6mA AC	300mcd
17.2D2230	red	230V AC	3mA AC	70mcd
17.2D2231	green	230V AC	3mA AC	200mcd
17.2D2232	yellow	230V AC	3mA AC	60mcd
17.2D2237	blue	230V AC	3mA AC	80mcd
17.2D223W	white	230V AC	3mA AC	150mcd

Maximale Frontplattenstärke 8,5mm / Maximum panel thickness 8.5mm
Andere Spannungen auf Anfrage / Other voltages on request

EINBAUDURCHMESSER
MOUNTING HOLE

6 mm

8 mm

12 mm

14 mm

16 mm

19 mm

22 mm

ZUBEHÖR
ACCESSORIES





LED Signalleuchten LED Panel Mount Indicators

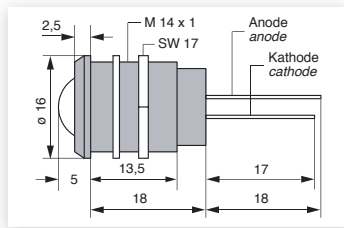
LED Signalleuchten für den Einbaudurchmesser von 14mm (+0,2mm) sind mit hellen, verschiedenfarbigen, diffusen 10mm LEDs bzw. Linsen bestückt. Sie sind mit hochglanzverchromten, schwarzverchromten oder mattverchromten Metallreflektoren lieferbar. Der Anschluss erfolgt in der Regel über Flachstecker 2,8 x 0,8mm. Die entsprechenden Flachsteckhülsen finden Sie auf der Zubehör-Seite. Die Montage der LED Signalleuchten erfolgt mittels der mitgelieferten Sprengringe und Muttern.

Messingflachstecker = Anode (+)
verzinnter Flachstecker = Kathode (-)

LED panel mount indicators for a 14mm (+0.2mm) mounting hole are manufactured with high brightness coloured diffused 10mm LEDs or lenses. These LEDs or lenses are fitted in high quality satin chrome, black chrome or matt chrome metal bezels, supplied with fixing nut and washer. Connection is usually by faston tab terminals 2.8 x 0.8mm. Suitable crimp connectors can be found on the page for accessories.

Brass terminals = anode (+)
Tinned terminals = cathode (-)

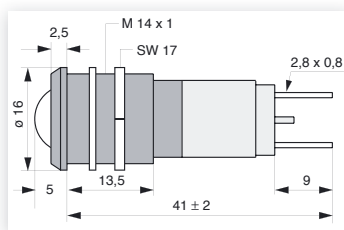
Standardreflektor ohne Vorwiderstand IP40 / Standard bezel without resistor IP40



Part Number	Colour	Typ. Forward Voltage	Typ. Current	Typ. Lumi. Intensity
Hochglanzverchromter Metallreflektor / Satin chrome bezel				
17.210000	red	2,0V DC	–	150mcd at 20mA
17.210001	green	2,2V DC	–	70mcd at 20mA
17.210002	yellow	2,1V DC	–	70mcd at 20mA
Schwarzverchromter Metallreflektor / Black chrome bezel				
17.211000	red	2,0V DC	–	150mcd at 20mA
17.211001	green	2,2V DC	–	70mcd at 20mA
17.211002	yellow	2,1V DC	–	70mcd at 20mA
Mattverchromter Metallreflektor / Matt chrome bezel				
17.212000	red	2,0V DC	–	150mcd at 20mA
17.212001	green	2,2V DC	–	70mcd at 20mA
17.212002	yellow	2,1V DC	–	70mcd at 20mA

Maximale Frontplattenstärke 11mm / Maximum panel thickness 11mm

Standardreflektor mit Vorwiderstand IP67 / Standard bezel with resistor IP67



Part Number	Colour	Voltage	Typ. Current	Typ. Lumi. Intensity
Hochglanzverchromter Metallreflektor / Satin chrome bezel				
17.210250	red	12V DC	20mA DC	150mcd
17.210251	green	12V DC	20mA DC	70mcd
17.210252	yellow	12V DC	20mA DC	70mcd
17.210350	red	24V DC	20mA DC	150mcd
17.210351	green	24V DC	20mA DC	70mcd
17.210352	yellow	24V DC	20mA DC	70mcd
Schwarzverchromter Metallreflektor / Black chrome bezel				
17.211250	red	12V DC	20mA DC	150mcd
17.211251	green	12V DC	20mA DC	70mcd
17.211252	yellow	12V DC	20mA DC	70mcd
17.211350	red	24V DC	20mA DC	150mcd
17.211351	green	24V DC	20mA DC	70mcd
17.211352	yellow	24V DC	20mA DC	70mcd
Mattverchromter Metallreflektor / Matt chrome bezel				
17.212250	red	12V DC	20mA DC	150mcd
17.212251	green	12V DC	20mA DC	70mcd
17.212252	yellow	12V DC	20mA DC	70mcd
17.212350	red	24V DC	20mA DC	150mcd
17.212351	green	24V DC	20mA DC	70mcd
17.212352	yellow	24V DC	20mA DC	70mcd

Maximale Frontplattenstärke 11mm / Maximum panel thickness 11mm
Andere Spannungen auf Anfrage / Other voltages on request

EINBAUDURCHMESSER
MOUNTING HOLE

6 mm

8 mm

12 mm

14 mm

16 mm

19 mm

22 mm

ZUBEHÖR
ACCESSORIES

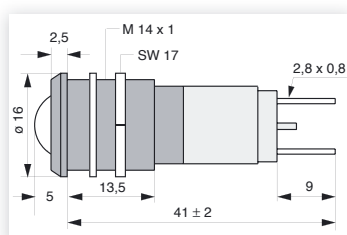




LED Signalleuchten LED Panel Mount Indicators

EINBAUDURCHMESSER
MOUNTING HOLE

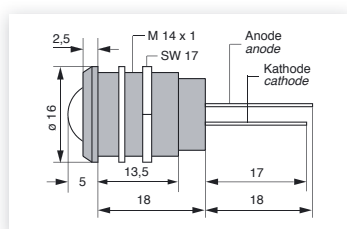
**Standardreflektor Sonnenlicht tauglich mit Vorwiderstand und Einweggleichrichter IP67 /
Standard bezel sunlight visible with resistor and half-wave rectifier IP67**



Part Number	Colour	Voltage	Typ. Current	Typ. Lumi. Intensity
Hochglanzverchromter Metallreflektor / Satin chrome bezel				
17.2A0250	red	12V AC/DC	9mA AC / 17mA DC	700mcd
17.2A0255	green	12V AC/DC	9mA AC / 17mA DC	1250mcd
17.2A0252	yellow	12V AC/DC	9mA AC / 17mA DC	1000mcd
17.2A0257	blue	12V AC/DC	9mA AC / 17mA DC	500mcd
17.2A025W	white	12V AC/DC	4mA AC / 8mA DC	1400mcd
17.2A0350	red	24V AC/DC	9mA AC / 17mA DC	700mcd
17.2A0355	green	24V AC/DC	9mA AC / 17mA DC	1250mcd
17.2A0352	yellow	24V AC/DC	9mA AC / 17mA DC	1000mcd
17.2A0357	blue	24V AC/DC	9mA AC / 17mA DC	500mcd
17.2A035W	white	24V AC/DC	4mA AC / 8mA DC	1400mcd
Schwarzverchromter Metallreflektor / Black chrome bezel				
17.2A1250	red	12V AC/DC	9mA AC / 17mA DC	700mcd
17.2A1255	green	12V AC/DC	9mA AC / 17mA DC	1250mcd
17.2A1252	yellow	12V AC/DC	9mA AC / 17mA DC	1000mcd
17.2A1257	blue	12V AC/DC	9mA AC / 17mA DC	500mcd
17.2A125W	white	12V AC/DC	4mA AC / 8mA DC	1400mcd
17.2A1350	red	24V AC/DC	9mA AC / 17mA DC	700mcd
17.2A1355	green	24V AC/DC	9mA AC / 17mA DC	1250mcd
17.2A1352	yellow	24V AC/DC	9mA AC / 17mA DC	1000mcd
17.2A1357	blue	24V AC/DC	9mA AC / 17mA DC	500mcd
17.2A135W	white	24V AC/DC	4mA AC / 8mA DC	1400mcd
Mattverchromter Metallreflektor / Matt chrome bezel				
17.2A2250	red	12V AC/DC	9mA AC / 17mA DC	700mcd
17.2A2255	green	12V AC/DC	9mA AC / 17mA DC	1250mcd
17.2A2252	yellow	12V AC/DC	9mA AC / 17mA DC	1000mcd
17.2A2257	blue	12V AC/DC	9mA AC / 17mA DC	500mcd
17.2A225W	white	12V AC/DC	4mA AC / 8mA DC	1400mcd
17.2A2350	red	24V AC/DC	9mA AC / 17mA DC	700mcd
17.2A2355	green	24V AC/DC	9mA AC / 17mA DC	1250mcd
17.2A2352	yellow	24V AC/DC	9mA AC / 17mA DC	1000mcd
17.2A2357	blue	24V AC/DC	9mA AC / 17mA DC	500mcd
17.2A235W	white	24V AC/DC	4mA AC / 8mA DC	1400mcd

Lichtstärkedaten der verwendeten LED bei DC-Betrieb / Luminous intensity data of the LED on direct voltage
 Maximale Frontplattenstärke 11mm / Maximum panel thickness 11mm
 Andere Spannungen auf Anfrage / Other voltages on request

Standardreflektor blinkend IP40 / Standard bezel flashing IP40



Part Number	Colour	Voltage	Typ. Current	Typ. Lumi. Intensity
Hochglanzverchromter Metallreflektor / Satin chrome bezel				
19220000	red	3,5-13V DC	38-56mA DC	100mcd at 20mA
19220001	green	3,5-13V DC	38-56mA DC	70mcd at 20mA
19220002	yellow	3,5-13V DC	38-56mA DC	70mcd at 20mA
Schwarzverchromter Metallreflektor / Black chrome bezel				
19221000	red	3,5-13V DC	38-56mA DC	100mcd at 20mA
19221001	green	3,5-13V DC	38-56mA DC	70mcd at 20mA
19221002	yellow	3,5-13V DC	38-56mA DC	70mcd at 20mA
Mattverchromter Metallreflektor / Matt chrome bezel				
19222000	red	3,5-13V DC	38-56mA DC	100mcd at 20mA
19222001	green	3,5-13V DC	38-56mA DC	70mcd at 20mA
19222002	yellow	3,5-13V DC	38-56mA DC	70mcd at 20mA

Maximale Frontplattenstärke 11mm / Maximum panel thickness 11mm

6 mm

8 mm

12 mm

14 mm

16 mm

19 mm

22 mm

ZUBEHÖR
ACCESSORIES





LED Signalleuchten LED Panel Mount Indicators

EINBAUURCHMESSER
MOUNTING HOLE

6 mm

8 mm

12 mm

14 mm

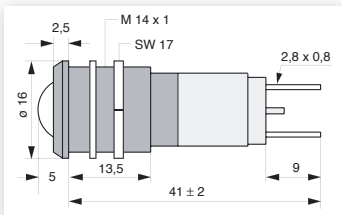
16 mm

19 mm

22 mm

ZUBEHÖR
ACCESSORIES

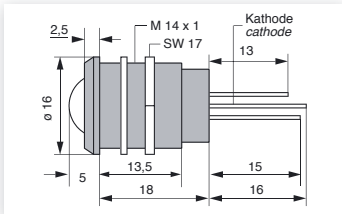
Standardreflektor blinkend IP67 / Standard bezel flashing IP67



Part Number	Colour	Voltage	Typ. Current	Typ. Lumi. Intensity
Hochglanzverchromter Metallreflektor / Satin chrome bezel				
17.220350	red	24V DC	38-56mA DC	100mcd at 20mA
17.220351	green	24V DC	38-56mA DC	70mcd at 20mA
17.220352	yellow	24V DC	38-56mA DC	70mcd at 20mA
Schwarzverchromter Metallreflektor / Black chrome bezel				
17.221350	red	24V DC	38-56mA DC	100mcd at 20mA
17.221351	green	24V DC	38-56mA DC	70mcd at 20mA
17.221352	yellow	24V DC	38-56mA DC	70mcd at 20mA
Mattverchromter Metallreflektor / Matt chrome bezel				
17.222350	red	24V DC	38-56mA DC	100mcd at 20mA
17.222351	green	24V DC	38-56mA DC	70mcd at 20mA
17.222352	yellow	24V DC	38-56mA DC	70mcd at 20mA

Maximale Frontplattenstärke 11mm / Maximum panel thickness 11mm

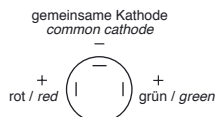
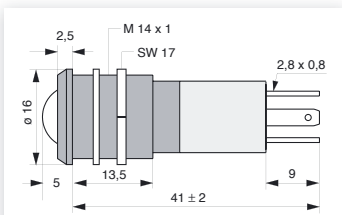
Standardreflektor dreifarbig ohne Vorwiderstand IP40 / Standard bezel tri-colour without resistor IP40



Part Number	Colour	Typ. Forward Voltage	Typ. Current	Typ. Lumi. Intensity
Hochglanzverchromter Metallreflektor / Satin chrome bezel				
17.240004	red/green/yellow	2,1/2,2/2,2V DC	–	90/60/150mcd at 20mA
Schwarzverchromter Metallreflektor / Black chrome bezel				
17.241004	red/green/yellow	2,1/2,2/2,2V DC	–	90/60/150mcd at 20mA
Mattverchromter Metallreflektor / Matt chrome bezel				
17.242004	red/green/yellow	2,1/2,2/2,2V DC	–	90/60/150mcd at 20mA

Maximale Frontplattenstärke 11mm / Maximum panel thickness 11mm

Standardreflektor dreifarbig mit Vorwiderstand IP67 / Standard bezel tri-colour with resistor IP67



Schaltungsmöglichkeiten:

Rot, grün oder gelb – Beide Dioden ergeben gelb als Farbmischung

Operation modes:

Red, green or yellow – Both diodes produce yellow as a mixed colour

Part Number	Colour	Voltage	Typ. Current	Typ. Lumi. Intensity
Hochglanzverchromter Metallreflektor / Satin chrome bezel				
17.240254	red/green/yellow	12V DC	20/20/40mA DC	90/60/150mcd
17.240354	red/green/yellow	24V DC	20/20/40mA DC	90/60/150mcd
Schwarzverchromter Metallreflektor / Black chrome bezel				
17.241254	red/green/yellow	12V DC	20/20/40mA DC	90/60/150mcd
17.241354	red/green/yellow	24V DC	20/20/40mA DC	90/60/150mcd
Mattverchromter Metallreflektor / Matt chrome bezel				
17.242254	red/green/yellow	12V DC	20/20/40mA DC	90/60/150mcd
17.242354	red/green/yellow	24V DC	20/20/40mA DC	90/60/150mcd

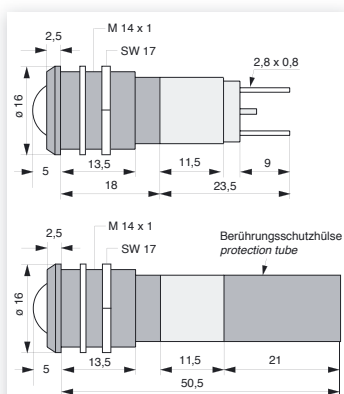
Maximale Frontplattenstärke 11mm / Maximum panel thickness 11mm
Andere Spannungen auf Anfrage / Other voltages on request





LED Signalleuchten LED Panel Mount Indicators

Standardreflektor 130/230V AC mit Berührungsschutzhülse IP67 / Standard bezel 130/230V AC with protection tube IP67



Die 130VAC und 230VAC Versionen werden grundsätzlich mit Berührungsschutzhülse geliefert.

In general we supply the 130VAC and 230VAC versions with a protection tube.

Part Number	Colour	Voltage	Typ. Current	Typ. Lumi. Intensity
Hochglanzverchromter Metallreflektor / Satin chrome bezel				
17.350130	red	130V AC	6mA AC	47mcd
17.350131	green	130V AC	6mA AC	34mcd
17.350133	yellow	130V AC	6mA AC	27mcd
17.350135	ultra-green	130V AC	6mA AC	660mcd
17.350137	blue	130V AC	6mA AC	196mcd
17.35013W	white	130V AC	4mA AC	700mcd
17.350230	red	230V AC	3mA AC	18mcd
17.350231	green	230V AC	3mA AC	11mcd
17.350233	yellow	230V AC	3mA AC	8mcd
17.350235	ultra-green	230V AC	3mA AC	330mcd
17.350237	blue	230V AC	3mA AC	98mcd
17.35023W	white	230V AC	2,5mA AC	440mcd
Schwarzverchromter Metallreflektor / Black chrome bezel				
17.351130	red	130V AC	6mA AC	47mcd
17.351131	green	130V AC	6mA AC	34mcd
17.351133	yellow	130V AC	6mA AC	27mcd
17.351135	ultra-green	130V AC	6mA AC	660mcd
17.351137	blue	130V AC	6mA AC	196mcd
17.35113W	white	130V AC	4mA AC	700mcd
17.351230	red	230V AC	3mA AC	18mcd
17.351231	green	230V AC	3mA AC	11mcd
17.351233	yellow	230V AC	3mA AC	8mcd
17.351235	ultra-green	230V AC	3mA AC	330mcd
17.351237	blue	230V AC	3mA AC	98mcd
17.35123W	white	230V AC	2,5mA AC	440mcd
Mattverchromter Metallreflektor / Matt chrome bezel				
17.352130	red	130V AC	6mA AC	47mcd
17.352131	green	130V AC	6mA AC	34mcd
17.352133	yellow	130V AC	6mA AC	27mcd
17.352135	ultra-green	130V AC	6mA AC	660mcd
17.352137	blue	130V AC	6mA AC	196mcd
17.35213W	white	130V AC	4mA AC	700mcd
17.352230	red	230V AC	3mA AC	18mcd
17.352231	green	230V AC	3mA AC	11mcd
17.352233	yellow	230V AC	3mA AC	8mcd
17.352235	ultra-green	230V AC	3mA AC	330mcd
17.352237	blue	230V AC	3mA AC	98mcd
17.35223W	white	230V AC	2,5mA AC	440mcd

Maximale Frontplattenstärke 11mm / Maximum panel thickness 11mm
Andere Spannungen auf Anfrage / Other voltages on request

EINBAUDURCHMESSER
MOUNTING HOLE

6 mm

8 mm

12 mm

14 mm

16 mm

19 mm

22 mm

ZUBEHÖR
ACCESSORIES





LED Signalleuchten LED Panel Mount Indicators

LED Signalleuchten für den Einbaudurchmesser von 16mm (+0,4mm) sind mit hellen, verschiedenfarbigen, diffusen 10mm LEDs bzw. Linsen bestückt.

Zur Auswahl stehen drei Linsenformen:

- runde Linse
- flache Linse
- konische Linse

Sie sind mit hochglanzverchromten, schwarzverchromten oder mattverchromten Messingreflektoren sowie schwarzen Kunststoffreflektoren lieferbar. Der Anschluss erfolgt in der Regel über Flachstecker 2,8 x 0,8mm. Die entsprechenden Flachsteckhülsen finden Sie auf der Zubehör-Seite. Die Montage der LED Signalleuchten erfolgt mittels der mitgelieferten Sprengringe und Muttern.

Messingflachstecker = Anode (+)

verzinnter Flachstecker = Kathode (-)

LED panel mount indicators for a 16mm (+0.4mm) mounting hole are manufactured with high brightness coloured diffused 10mm LEDs or lenses.

These indicators can be delivered with three different lens shapes:

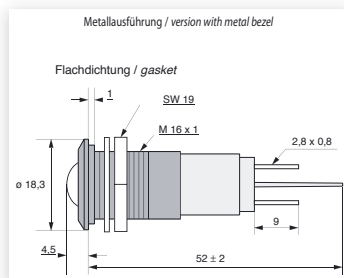
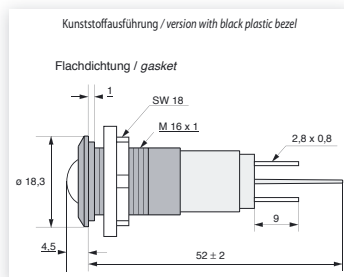
- round lens
- flat lens
- conical lens

These LEDs or lenses are fitted in high quality satin chrome, black chrome or matt chrome metal bezels or in black plastic bezels, supplied with fixing nut and washer. Connection is usually by faston tab terminals 2.8 x 0.8mm. Suitable crimp connectors can be found on the page for accessories.

Brass terminals = anode (+)

Tinned terminals = cathode (-)

Standardreflektor runde Linse mit Vorwiderstand und Einweggleichrichter IP67 / Standard bezel round lens with resistor and half-wave rectifier IP67



Part Number	Colour	Voltage	Typ. Current	Typ. Lumi. Intensity
Schwarzer Kunststoffreflektor / Black plastic bezel				
17.371250	red	12V AC/DC	8mA AC / 16mA DC	1500mcd
17.371255	green	12V AC/DC	7mA AC / 14mA DC	1200mcd
17.371252	yellow	12V AC/DC	8mA AC / 16mA DC	1000mcd
17.371257	blue	12V AC/DC	7mA AC / 14mA DC	350mcd
17.37125W	white	12V AC/DC	2,5mA AC / 5mA DC	750mcd
17.371350	red	24V AC/DC	8mA AC / 16mA DC	1500mcd
17.371355	green	24V AC/DC	7mA AC / 14mA DC	1200mcd
17.371352	yellow	24V AC/DC	8mA AC / 16mA DC	1000mcd
17.371357	blue	24V AC/DC	7mA AC / 14mA DC	350mcd
17.37135W	white	24V AC/DC	2,5mA AC / 5mA DC	750mcd
Hochglanzverchromter Metallreflektor / Satin chrome bezel				
17.370250M	red	12V AC/DC	8mA AC / 16mA DC	1500mcd
17.370255M	green	12V AC/DC	7mA AC / 14mA DC	1200mcd
17.370252M	yellow	12V AC/DC	8mA AC / 16mA DC	1000mcd
17.370257M	blue	12V AC/DC	7mA AC / 14mA DC	350mcd
17.37025WM	white	12V AC/DC	2,5mA AC / 5mA DC	750mcd
17.370350M	red	24V AC/DC	8mA AC / 16mA DC	1500mcd
17.370355M	green	24V AC/DC	7mA AC / 14mA DC	1200mcd
17.370352M	yellow	24V AC/DC	8mA AC / 16mA DC	1000mcd
17.370357M	blue	24V AC/DC	7mA AC / 14mA DC	350mcd
17.37035WM	white	24V AC/DC	2,5mA AC / 5mA DC	750mcd
Schwarzverchromter Metallreflektor / Black chrome bezel				
17.371250M	red	12V AC/DC	8mA AC / 16mA DC	1500mcd
17.371255M	green	12V AC/DC	7mA AC / 14mA DC	1200mcd
17.371252M	yellow	12V AC/DC	8mA AC / 16mA DC	1000mcd
17.371257M	blue	12V AC/DC	7mA AC / 14mA DC	350mcd
17.37125WM	white	12V AC/DC	2,5mA AC / 5mA DC	750mcd
17.371350M	red	24V AC/DC	8mA AC / 16mA DC	1500mcd
17.371355M	green	24V AC/DC	7mA AC / 14mA DC	1200mcd
17.371352M	yellow	24V AC/DC	8mA AC / 16mA DC	1000mcd
17.371357M	blue	24V AC/DC	7mA AC / 14mA DC	350mcd
17.37135WM	white	24V AC/DC	2,5mA AC / 5mA DC	750mcd
Mattverchromter Metallreflektor / Matt chrome bezel				
17.372250M	red	12V AC/DC	8mA AC / 16mA DC	1500mcd
17.372255M	green	12V AC/DC	7mA AC / 14mA DC	1200mcd
17.372252M	yellow	12V AC/DC	8mA AC / 16mA DC	1000mcd
17.372257M	blue	12V AC/DC	7mA AC / 14mA DC	350mcd
17.37225WM	white	12V AC/DC	2,5mA AC / 5mA DC	750mcd
17.372350M	red	24V AC/DC	8mA AC / 16mA DC	1500mcd
17.372355M	green	24V AC/DC	7mA AC / 14mA DC	1200mcd
17.372352M	yellow	24V AC/DC	8mA AC / 16mA DC	1000mcd
17.372357M	blue	24V AC/DC	7mA AC / 14mA DC	350mcd
17.37235WM	white	24V AC/DC	2,5mA AC / 5mA DC	750mcd

Lichtstärkedaten der verwendeten LED bei DC-Betrieb / Luminous intensity data of the LED on direct voltage

Maximale Frontplattenstärke 11mm / Maximum panel thickness 11mm

Andere Spannungen auf Anfrage / Other voltages on request

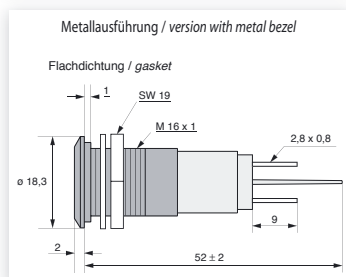
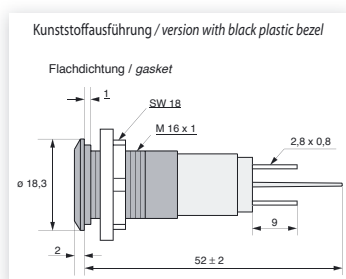




LED Signalleuchten LED Panel Mount Indicators

EINBAUDURCHMESSER
MOUNTING HOLE

Standardreflektor flache Linse mit Vorwiderstand und Einweggleichrichter IP67 / Standard bezel flat lens with resistor and half-wave rectifier IP67



Part Number	Colour	Voltage	Typ. Current	Typ. Lumi. Intensity
Schwarzer Kunststoffreflektor / Black plastic bezel				
17.381250	red	12V AC/DC	8mA AC / 16mA DC	1500mcd
17.381255	green	12V AC/DC	7mA AC / 14mA DC	1200mcd
17.381252	yellow	12V AC/DC	8mA AC / 16mA DC	1000mcd
17.381257	blue	12V AC/DC	7mA AC / 14mA DC	350mcd
17.38125W	white	12V AC/DC	2,5mA AC / 5mA DC	750mcd
17.381350	red	24V AC/DC	8mA AC / 16mA DC	1500mcd
17.381355	green	24V AC/DC	7mA AC / 14mA DC	1200mcd
17.381352	yellow	24V AC/DC	8mA AC / 16mA DC	1000mcd
17.381357	blue	24V AC/DC	7mA AC / 14mA DC	350mcd
17.38135W	white	24V AC/DC	2,5mA AC / 5mA DC	750mcd
Hochglanzverchromter Metallreflektor / Satin chrome bezel				
17.380250M	red	12V AC/DC	8mA AC / 16mA DC	1500mcd
17.380255M	green	12V AC/DC	7mA AC / 14mA DC	1200mcd
17.380252M	yellow	12V AC/DC	8mA AC / 16mA DC	1000mcd
17.380257M	blue	12V AC/DC	7mA AC / 14mA DC	350mcd
17.38025WM	white	12V AC/DC	2,5mA AC / 5mA DC	750mcd
17.380350M	red	24V AC/DC	8mA AC / 16mA DC	1500mcd
17.380355M	green	24V AC/DC	7mA AC / 14mA DC	1200mcd
17.380352M	yellow	24V AC/DC	8mA AC / 16mA DC	1000mcd
17.380357M	blue	24V AC/DC	7mA AC / 14mA DC	350mcd
17.38035WM	white	24V AC/DC	2,5mA AC / 5mA DC	750mcd
Schwarzverchromter Metallreflektor / Black chrome bezel				
17.381250M	red	12V AC/DC	8mA AC / 16mA DC	1500mcd
17.381255M	green	12V AC/DC	7mA AC / 14mA DC	1200mcd
17.381252M	yellow	12V AC/DC	8mA AC / 16mA DC	1000mcd
17.381257M	blue	12V AC/DC	7mA AC / 14mA DC	350mcd
17.38125WM	white	12V AC/DC	2,5mA AC / 5mA DC	750mcd
17.381350M	red	24V AC/DC	8mA AC / 16mA DC	1500mcd
17.381355M	green	24V AC/DC	7mA AC / 14mA DC	1200mcd
17.381352M	yellow	24V AC/DC	8mA AC / 16mA DC	1000mcd
17.381357M	blue	24V AC/DC	7mA AC / 14mA DC	350mcd
17.38135WM	white	24V AC/DC	2,5mA AC / 5mA DC	750mcd
Mattverchromter Metallreflektor / Matt chrome bezel				
17.382250M	red	12V AC/DC	8mA AC / 16mA DC	1500mcd
17.382255M	green	12V AC/DC	7mA AC / 14mA DC	1200mcd
17.382252M	yellow	12V AC/DC	8mA AC / 16mA DC	1000mcd
17.382257M	blue	12V AC/DC	7mA AC / 14mA DC	350mcd
17.38225WM	white	12V AC/DC	2,5mA AC / 5mA DC	750mcd
17.382350M	red	24V AC/DC	8mA AC / 16mA DC	1500mcd
17.382355M	green	24V AC/DC	7mA AC / 14mA DC	1200mcd
17.382352M	yellow	24V AC/DC	8mA AC / 16mA DC	1000mcd
17.382357M	blue	24V AC/DC	7mA AC / 14mA DC	350mcd
17.38235WM	white	24V AC/DC	2,5mA AC / 5mA DC	750mcd

Lichtstärkeangaben der verwendeten LED bei DC-Betrieb / Luminous intensity data of the LED on direct voltage
 Maximale Frontplattenstärke 11mm / Maximum panel thickness 11mm
 Andere Spannungen auf Anfrage / Other voltages on request

6 mm

8 mm

12 mm

14 mm

16 mm

19 mm

22 mm

ZUBEHÖR
ACCESSORIES





LED Signalleuchten LED Panel Mount Indicators

EINBAUURCHMESSER
MOUNTING HOLE

6 mm

8 mm

12 mm

14 mm

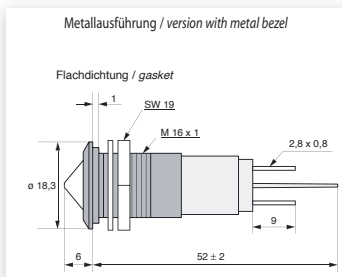
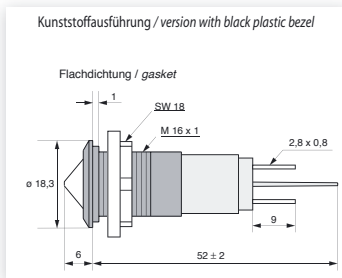
16 mm

19 mm

22 mm

ZUBEHÖR
ACCESSORIES

Standardreflektor konische Linse mit Vorwiderstand und Einweggleichrichter IP67 / Standard bezel conical lens with resistor and half-wave rectifier IP67



Part Number	Colour	Voltage	Typ. Current	Typ. Lumi. Intensity
Schwarzer Kunststoffreflektor / Black plastic bezel				
17.391250	red	12V AC/DC	8mA AC / 16mA DC	1500mcd
17.391255	green	12V AC/DC	7mA AC / 14mA DC	1200mcd
17.391252	yellow	12V AC/DC	8mA AC / 16mA DC	1000mcd
17.391257	blue	12V AC/DC	7mA AC / 14mA DC	350mcd
17.39125W	white	12V AC/DC	2,5mA AC / 5mA DC	750mcd
17.391350	red	24V AC/DC	8mA AC / 16mA DC	1500mcd
17.391355	green	24V AC/DC	7mA AC / 14mA DC	1200mcd
17.391352	yellow	24V AC/DC	8mA AC / 16mA DC	1000mcd
17.391357	blue	24V AC/DC	7mA AC / 14mA DC	350mcd
17.39135W	white	24V AC/DC	2,5mA AC / 5mA DC	750mcd
Hochglanzverchromter Metallreflektor / Satin chrome bezel				
17.390250M	red	12V AC/DC	8mA AC / 16mA DC	1500mcd
17.390255M	green	12V AC/DC	7mA AC / 14mA DC	1200mcd
17.390252M	yellow	12V AC/DC	8mA AC / 16mA DC	1000mcd
17.390257M	blue	12V AC/DC	7mA AC / 14mA DC	350mcd
17.39025WM	white	12V AC/DC	2,5mA AC / 5mA DC	750mcd
17.390350M	red	24V AC/DC	8mA AC / 16mA DC	1500mcd
17.390355M	green	24V AC/DC	7mA AC / 14mA DC	1200mcd
17.390352M	yellow	24V AC/DC	8mA AC / 16mA DC	1000mcd
17.390357M	blue	24V AC/DC	7mA AC / 14mA DC	350mcd
17.39035WM	white	24V AC/DC	2,5mA AC / 5mA DC	750mcd
Schwarzverchromter Metallreflektor / Black chrome bezel				
17.391250M	red	12V AC/DC	8mA AC / 16mA DC	1500mcd
17.391255M	green	12V AC/DC	7mA AC / 14mA DC	1200mcd
17.391252M	yellow	12V AC/DC	8mA AC / 16mA DC	1000mcd
17.391257M	blue	12V AC/DC	7mA AC / 14mA DC	350mcd
17.39125WM	white	12V AC/DC	2,5mA AC / 5mA DC	750mcd
17.391350M	red	24V AC/DC	8mA AC / 16mA DC	1500mcd
17.391355M	green	24V AC/DC	7mA AC / 14mA DC	1200mcd
17.391352M	yellow	24V AC/DC	8mA AC / 16mA DC	1000mcd
17.391357M	blue	24V AC/DC	7mA AC / 14mA DC	350mcd
17.39135WM	white	24V AC/DC	2,5mA AC / 5mA DC	750mcd
Mattverchromter Metallreflektor / Matt chrome bezel				
17.392250M	red	12V AC/DC	8mA AC / 16mA DC	1500mcd
17.392255M	green	12V AC/DC	7mA AC / 14mA DC	1200mcd
17.392252M	yellow	12V AC/DC	8mA AC / 16mA DC	1000mcd
17.392257M	blue	12V AC/DC	7mA AC / 14mA DC	350mcd
17.39225WM	white	12V AC/DC	2,5mA AC / 5mA DC	750mcd
17.392350M	red	24V AC/DC	8mA AC / 16mA DC	1500mcd
17.392355M	green	24V AC/DC	7mA AC / 14mA DC	1200mcd
17.392352M	yellow	24V AC/DC	8mA AC / 16mA DC	1000mcd
17.392357M	blue	24V AC/DC	7mA AC / 14mA DC	350mcd
17.39235WM	white	24V AC/DC	2,5mA AC / 5mA DC	750mcd

Lichtstärkedaten der verwendeten LED bei DC-Betrieb / Luminous intensity data of the LED on direct voltage
 Maximale Frontplattenstärke 11mm / Maximum panel thickness 11mm
 Andere Spannungen auf Anfrage / Other voltages on request

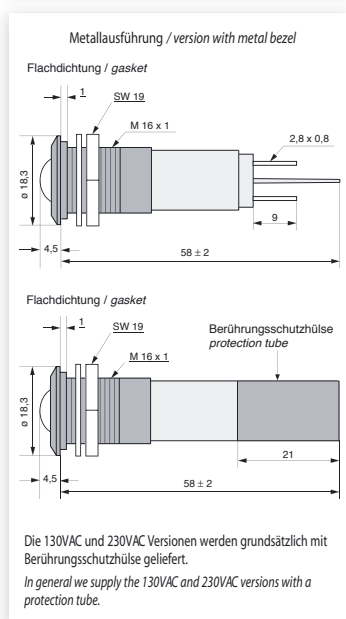
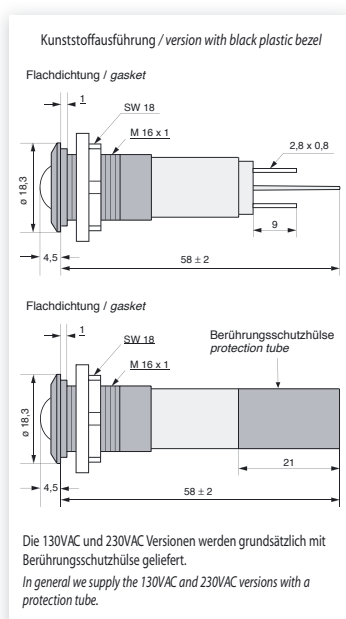




LED Signalleuchten LED Panel Mount Indicators

EINBAUDURCHMESSER
MOUNTING HOLE

Standardreflektor runde Linse 130/230V AC mit Berührungsschutzhülse IP67 / Standard bezel round lens 130/230V AC with protection tube IP67



Part Number	Colour	Voltage	Typ. Current	Typ. Lumi. Intensity
Schwarzer Kunststoffreflektor / Black plastic bezel				
17.401130	red	130V AC	6mA AC	600mcd
17.401135	green	130V AC	6mA AC	510mcd
17.401132	yellow	130V AC	6mA AC	400mcd
17.401137	blue	130V AC	6mA AC	150mcd
17.40113W	white	130V AC	3mA AC	450mcd
17.401230	red	230V AC	3mA AC	300mcd
17.401235	green	230V AC	3mA AC	255mcd
17.401232	yellow	230V AC	3mA AC	200mcd
17.401237	blue	230V AC	3mA AC	75mcd
17.40123W	white	230V AC	1,5mA AC	225mcd
Hochglanzverchromter Metallreflektor / Satin chrome bezel				
17.400130M	red	130V AC	6mA AC	600mcd
17.400135M	green	130V AC	6mA AC	510mcd
17.400132M	yellow	130V AC	6mA AC	400mcd
17.400137M	blue	130V AC	6mA AC	150mcd
17.40013WM	white	130V AC	3mA AC	450mcd
17.400230M	red	230V AC	3mA AC	300mcd
17.400235M	green	230V AC	3mA AC	255mcd
17.400232M	yellow	230V AC	3mA AC	200mcd
17.400237M	blue	230V AC	3mA AC	75mcd
17.40023WM	white	230V AC	1,5mA AC	225mcd
Schwarzverchromter Metallreflektor / Black chrome bezel				
17.401130M	red	130V AC	6mA AC	600mcd
17.401135M	green	130V AC	6mA AC	510mcd
17.401132M	yellow	130V AC	6mA AC	400mcd
17.401137M	blue	130V AC	6mA AC	150mcd
17.40113WM	white	130V AC	3mA AC	450mcd
17.401230M	red	230V AC	3mA AC	300mcd
17.401235M	green	230V AC	3mA AC	255mcd
17.401232M	yellow	230V AC	3mA AC	200mcd
17.401237M	blue	230V AC	3mA AC	75mcd
17.40123WM	white	230V AC	1,5mA AC	225mcd
Mattverchromter Metallreflektor / Matt chrome bezel				
17.402130M	red	130V AC	6mA AC	600mcd
17.402135M	green	130V AC	6mA AC	510mcd
17.402132M	yellow	130V AC	6mA AC	400mcd
17.402137M	blue	130V AC	6mA AC	150mcd
17.40213WM	white	130V AC	3mA AC	450mcd
17.402230M	red	230V AC	3mA AC	300mcd
17.402235M	green	230V AC	3mA AC	255mcd
17.402232M	yellow	230V AC	3mA AC	200mcd
17.402237M	blue	230V AC	3mA AC	75mcd
17.40223WM	white	230V AC	1,5mA AC	225mcd

Maximale Frontplattenstärke 11mm / Maximum panel thickness 11mm
Andere Spannungen auf Anfrage / Other voltages on request

6 mm

8 mm

12 mm

14 mm

16 mm

19 mm

22 mm

ZUBEHÖR
ACCESSORIES





LED Signalleuchten LED Panel Mount Indicators

EINBAUURCHMESSER
MOUNTING HOLE

6 mm

8 mm

12 mm

14 mm

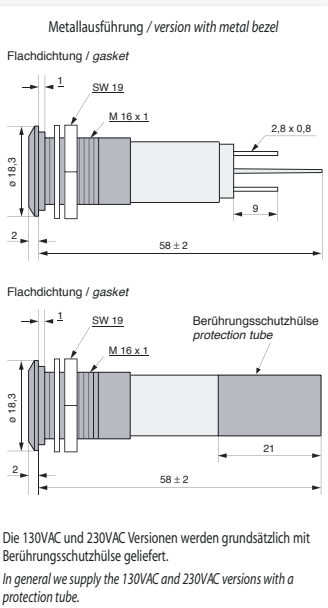
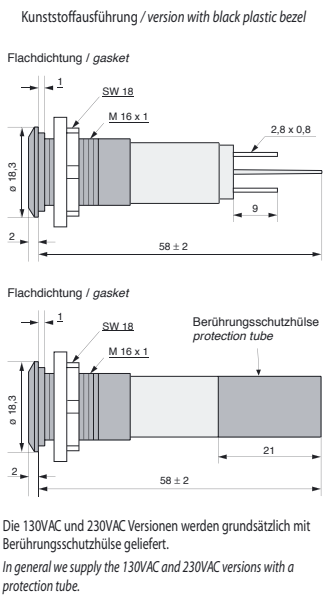
16 mm

19 mm

22 mm

ZUBEHÖR
ACCESSORIES

Standardreflektor flache Linse 130/230V AC mit Berührungsschutzhülse IP67 / Standard bezel flat lens 130/230V AC with protection tube IP67



Part Number	Colour	Voltage	Typ. Current	Typ. Lumi. Intensity
Schwarzer Kunststoffreflektor / Black plastic bezel				
17.411130	red	130V AC	6mA AC	600mcd
17.411135	green	130V AC	6mA AC	510mcd
17.411132	yellow	130V AC	6mA AC	400mcd
17.411137	blue	130V AC	6mA AC	150mcd
17.41113W	white	130V AC	3mA AC	450mcd
17.411230	red	230V AC	3mA AC	300mcd
17.411235	green	230V AC	3mA AC	255mcd
17.411232	yellow	230V AC	3mA AC	200mcd
17.411237	blue	230V AC	3mA AC	75mcd
17.41123W	white	230V AC	1,5mA AC	225mcd
Hochglanzverchromter Metallreflektor / Satin chrome bezel				
17.410130M	red	130V AC	6mA AC	600mcd
17.410135M	green	130V AC	6mA AC	510mcd
17.410132M	yellow	130V AC	6mA AC	400mcd
17.410137M	blue	130V AC	6mA AC	150mcd
17.41013WM	white	130V AC	3mA AC	450mcd
17.410230M	red	230V AC	3mA AC	300mcd
17.410235M	green	230V AC	3mA AC	255mcd
17.410232M	yellow	230V AC	3mA AC	200mcd
17.410237M	blue	230V AC	3mA AC	75mcd
17.41023WM	white	230V AC	1,5mA AC	225mcd
Schwarzverchromter Metallreflektor / Black chrome bezel				
17.411130M	red	130V AC	6mA AC	600mcd
17.411135M	green	130V AC	6mA AC	510mcd
17.411132M	yellow	130V AC	6mA AC	400mcd
17.411137M	blue	130V AC	6mA AC	150mcd
17.41113WM	white	130V AC	3mA AC	450mcd
17.411230M	red	230V AC	3mA AC	300mcd
17.411235M	green	230V AC	3mA AC	255mcd
17.411232M	yellow	230V AC	3mA AC	200mcd
17.411237M	blue	230V AC	3mA AC	75mcd
17.41123WM	white	230V AC	1,5mA AC	225mcd
Mattverchromter Metallreflektor / Matt chrome bezel				
17.412130M	red	130V AC	6mA AC	600mcd
17.412135M	green	130V AC	6mA AC	510mcd
17.412132M	yellow	130V AC	6mA AC	400mcd
17.412137M	blue	130V AC	6mA AC	150mcd
17.41213WM	white	130V AC	3mA AC	450mcd
17.412230M	red	230V AC	3mA AC	300mcd
17.412235M	green	230V AC	3mA AC	255mcd
17.412232M	yellow	230V AC	3mA AC	200mcd
17.412237M	blue	230V AC	3mA AC	75mcd
17.41223WM	white	230V AC	1,5mA AC	225mcd

Maximale Frontplattenstärke 11mm / Maximum panel thickness 11mm
Andere Spannungen auf Anfrage / Other voltages on request

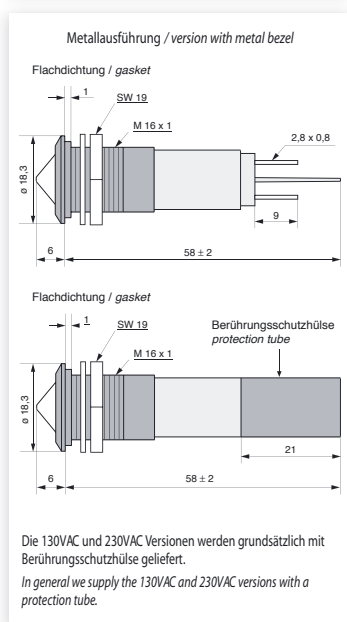
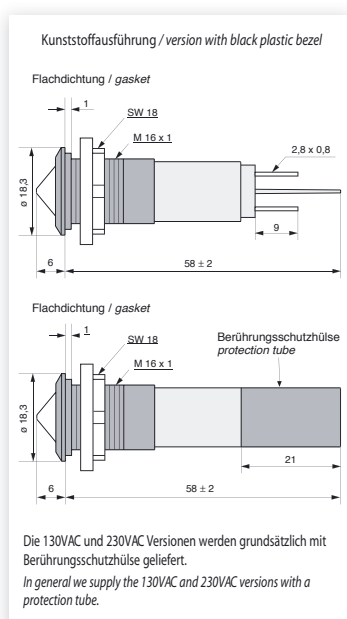




LED Signalleuchten LED Panel Mount Indicators

EINBAUDURCHMESSER
MOUNTING HOLE

Standardreflektor konische Linse 130/230V AC mit Berührungsschutzhülse IP67 / Standard bezel conical lens 130/230V AC with protection tube IP67



Part Number	Colour	Voltage	Typ. Current	Typ. Lumi. Intensity
Schwarzer Kunststoffreflektor / Black plastic bezel				
17.421130	red	130V AC	6mA AC	600mcd
17.421135	green	130V AC	6mA AC	510mcd
17.421132	yellow	130V AC	6mA AC	400mcd
17.421137	blue	130V AC	6mA AC	150mcd
17.42113W	white	130V AC	3mA AC	450mcd
17.421230	red	230V AC	3mA AC	300mcd
17.421235	green	230V AC	3mA AC	255mcd
17.421232	yellow	230V AC	3mA AC	200mcd
17.421237	blue	230V AC	3mA AC	75mcd
17.42123W	white	230V AC	1,5mA AC	225mcd
Hochglanzverchromter Metallreflektor / Satin chrome bezel				
17.420130M	red	130V AC	6mA AC	600mcd
17.420135M	green	130V AC	6mA AC	510mcd
17.420132M	yellow	130V AC	6mA AC	400mcd
17.420137M	blue	130V AC	6mA AC	150mcd
17.42013WM	white	130V AC	3mA AC	450mcd
17.420230M	red	230V AC	3mA AC	300mcd
17.420235M	green	230V AC	3mA AC	255mcd
17.420232M	yellow	230V AC	3mA AC	200mcd
17.420237M	blue	230V AC	3mA AC	75mcd
17.42023WM	white	230V AC	1,5mA AC	225mcd
Schwarzverchromter Metallreflektor / Black chrome bezel				
17.421130M	red	130V AC	6mA AC	600mcd
17.421135M	green	130V AC	6mA AC	510mcd
17.421132M	yellow	130V AC	6mA AC	400mcd
17.421137M	blue	130V AC	6mA AC	150mcd
17.42113WM	white	130V AC	3mA AC	450mcd
17.421230M	red	230V AC	3mA AC	300mcd
17.421235M	green	230V AC	3mA AC	255mcd
17.421232M	yellow	230V AC	3mA AC	200mcd
17.421237M	blue	230V AC	3mA AC	75mcd
17.42123WM	white	230V AC	1,5mA AC	225mcd
Mattverchromter Metallreflektor / Matt chrome bezel				
17.422130M	red	130V AC	6mA AC	600mcd
17.422135M	green	130V AC	6mA AC	510mcd
17.422132M	yellow	130V AC	6mA AC	400mcd
17.422137M	blue	130V AC	6mA AC	150mcd
17.42213WM	white	130V AC	3mA AC	450mcd
17.422230M	red	230V AC	3mA AC	300mcd
17.422235M	green	230V AC	3mA AC	255mcd
17.422232M	yellow	230V AC	3mA AC	200mcd
17.422237M	blue	230V AC	3mA AC	75mcd
17.42223WM	white	230V AC	1,5mA AC	225mcd

Maximale Frontplattenstärke 11mm / Maximum panel thickness 11mm
Andere Spannungen auf Anfrage / Other voltages on request

6 mm

8 mm

12 mm

14 mm

16 mm

19 mm

22 mm

ZUBEHÖR
ACCESSORIES





LED Signalleuchten LED Panel Mount Indicators

LED Signalleuchten für den Einbaudurchmesser von 19mm (+0,4mm) sind mit hellen, verschiedenfarbigen, diffusen 10mm LEDs bzw. Linsen bestückt.

Zur Auswahl stehen drei Linsenformen:

- runde Linse
- flache Linse
- konische Linse

Sie sind mit hochglanzverchromten, schwarzverchromten oder mattverchromten Messingreflektoren lieferbar. Der Anschluss erfolgt in der Regel über Flachstecker 2,8 x 0,8mm. Die Montage der LED Signalleuchten erfolgt mittels der mitgelieferten Sprengringe und Muttern.

Messingflachstecker = Anode (+)
verzinnter Flachstecker = Kathode (-)

LED panel mount indicators for a 19mm (+0.4mm) mounting hole are manufactured with high brightness coloured diffused 10mm LEDs or lenses.

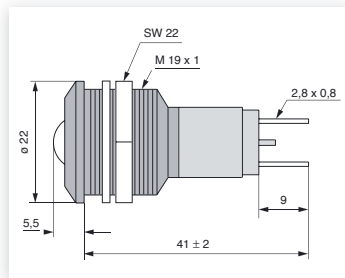
These indicators can be delivered with three different lens shapes:

- round lens
- flat lens
- conical lens

These LEDs or lenses are fitted in high quality satin chrome, black chrome or matt chrome metal bezels, supplied with fixing nut and washer. Connection is usually by faston tab terminals 2.8 x 0.8mm. Suitable crimp connectors can be found on the page for accessories.

Brass terminals = anode (+)
Tinned terminals = cathode (-)

Standardreflektor runde Linse mit Vorwiderstand und Einweggleichrichter IP67 / Standard bezel round lens with resistor and half-wave rectifier IP67



Part Number	Colour	Voltage	Typ. Current	Typ. Lumi. Intensity
Hochglanzverchromter Metallreflektor / Satin chrome bezel				
17.700250	red	12V AC/DC	8mA AC / 16mA DC	1500mcd
17.700255	green	12V AC/DC	7mA AC / 14mA DC	1200mcd
17.700252	yellow	12V AC/DC	8mA AC / 16mA DC	1000mcd
17.700257	blue	12V AC/DC	7mA AC / 14mA DC	350mcd
17.70025W	white	12V AC/DC	2,5mA AC / 5mA DC	750mcd
17.700350	red	24V AC/DC	8mA AC / 16mA DC	1500mcd
17.700355	green	24V AC/DC	7mA AC / 14mA DC	1200mcd
17.700352	yellow	24V AC/DC	8mA AC / 16mA DC	1000mcd
17.700357	blue	24V AC/DC	7mA AC / 14mA DC	350mcd
17.70035W	white	24V AC/DC	2,5mA AC / 5mA DC	750mcd
Schwarzverchromter Metallreflektor / Black chrome bezel				
17.701250	red	12V AC/DC	8mA AC / 16mA DC	1500mcd
17.701255	green	12V AC/DC	7mA AC / 14mA DC	1200mcd
17.701252	yellow	12V AC/DC	8mA AC / 16mA DC	1000mcd
17.701257	blue	12V AC/DC	7mA AC / 14mA DC	350mcd
17.70125W	white	12V AC/DC	2,5mA AC / 5mA DC	750mcd
17.701350	red	24V AC/DC	8mA AC / 16mA DC	1500mcd
17.701355	green	24V AC/DC	7mA AC / 14mA DC	1200mcd
17.701352	yellow	24V AC/DC	8mA AC / 16mA DC	1000mcd
17.701357	blue	24V AC/DC	7mA AC / 14mA DC	350mcd
17.70135W	white	24V AC/DC	2,5mA AC / 5mA DC	750mcd
Mattverchromter Metallreflektor / Matt chrome bezel				
17.702250	red	12V AC/DC	8mA AC / 16mA DC	1500mcd
17.702255	green	12V AC/DC	7mA AC / 14mA DC	1200mcd
17.702252	yellow	12V AC/DC	8mA AC / 16mA DC	1000mcd
17.702257	blue	12V AC/DC	7mA AC / 14mA DC	350mcd
17.70225W	white	12V AC/DC	2,5mA AC / 5mA DC	750mcd
17.702350	red	24V AC/DC	8mA AC / 16mA DC	1500mcd
17.702355	green	24V AC/DC	7mA AC / 14mA DC	1200mcd
17.702352	yellow	24V AC/DC	8mA AC / 16mA DC	1000mcd
17.702357	blue	24V AC/DC	7mA AC / 14mA DC	350mcd
17.70235W	white	24V AC/DC	2,5mA AC / 5mA DC	750mcd

Lichtstärkedaten der verwendeten LED bei DC-Betrieb / Luminous intensity data of the LED on direct voltage
Maximale Frontplattenstärke 11mm / Maximum panel thickness 11mm
Andere Spannungen auf Anfrage / Other voltages on request

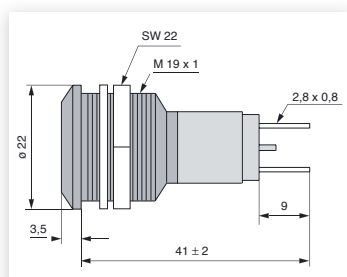




LED Signalleuchten LED Panel Mount Indicators

EINBAUDURCHMESSER
MOUNTING HOLE

Standardreflektor flache Linse mit Vorwiderstand und Einweggleichrichter IP67 / Standard bezel flat lens with resistor and half-wave rectifier IP67



Part Number	Colour	Voltage	Typ. Current	Typ. Lumi. Intensity
Hochglanzverchromter Metallreflektor / Satin chrome bezel				
17.710250	red	12V AC/DC	8mA AC / 16mA DC	1500mcd
17.710255	green	12V AC/DC	7mA AC / 14mA DC	1200mcd
17.710252	yellow	12V AC/DC	8mA AC / 16mA DC	1000mcd
17.710257	blue	12V AC/DC	7mA AC / 14mA DC	350mcd
17.71025W	white	12V AC/DC	2,5mA AC / 5mA DC	750mcd
17.710350	red	24V AC/DC	8mA AC / 16mA DC	1500mcd
17.710355	green	24V AC/DC	7mA AC / 14mA DC	1200mcd
17.710352	yellow	24V AC/DC	8mA AC / 16mA DC	1000mcd
17.710357	blue	24V AC/DC	7mA AC / 14mA DC	350mcd
17.71035W	white	24V AC/DC	2,5mA AC / 5mA DC	750mcd
Schwarzverchromter Metallreflektor / Black chrome bezel				
17.711250	red	12V AC/DC	8mA AC / 16mA DC	1500mcd
17.711255	green	12V AC/DC	7mA AC / 14mA DC	1200mcd
17.711252	yellow	12V AC/DC	8mA AC / 16mA DC	1000mcd
17.711257	blue	12V AC/DC	7mA AC / 14mA DC	350mcd
17.71125W	white	12V AC/DC	2,5mA AC / 5mA DC	750mcd
17.711350	red	24V AC/DC	8mA AC / 16mA DC	1500mcd
17.711355	green	24V AC/DC	7mA AC / 14mA DC	1200mcd
17.711352	yellow	24V AC/DC	8mA AC / 16mA DC	1000mcd
17.711357	blue	24V AC/DC	7mA AC / 14mA DC	350mcd
17.71135W	white	24V AC/DC	2,5mA AC / 5mA DC	750mcd
Mattverchromter Metallreflektor / Matt chrome bezel				
17.712250	red	12V AC/DC	8mA AC / 16mA DC	1500mcd
17.712255	green	12V AC/DC	7mA AC / 14mA DC	1200mcd
17.712252	yellow	12V AC/DC	8mA AC / 16mA DC	1000mcd
17.712257	blue	12V AC/DC	7mA AC / 14mA DC	350mcd
17.71225W	white	12V AC/DC	2,5mA AC / 5mA DC	750mcd
17.712350	red	24V AC/DC	8mA AC / 16mA DC	1500mcd
17.712355	green	24V AC/DC	7mA AC / 14mA DC	1200mcd
17.712352	yellow	24V AC/DC	8mA AC / 16mA DC	1000mcd
17.712357	blue	24V AC/DC	7mA AC / 14mA DC	350mcd
17.71235W	white	24V AC/DC	2,5mA AC / 5mA DC	750mcd

Lichtstärkedaten der verwendeten LED bei DC-Betrieb / Luminous intensity data of the LED on direct voltage
 Maximale Frontplattenstärke 11mm / Maximum panel thickness 11mm
 Andere Spannungen auf Anfrage / Other voltages on request

16 mm

8 mm

12 mm

14 mm

16 mm

19 mm

22 mm

ZUBEHÖR
ACCESSORIES





LED Signalleuchten LED Panel Mount Indicators

EINBAUURCHMESSER
MOUNTING HOLE

6 mm

8 mm

12 mm

14 mm

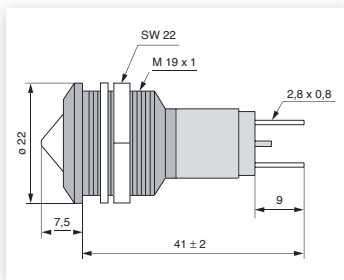
16 mm

19 mm

22 mm

ZUBEHÖR
ACCESSORIES

Standardreflektor konische Linse mit Vorwiderstand und Einweggleichrichter IP67 / Standard bezel conical lens with resistor and half-wave rectifier IP67



Part Number	Colour	Voltage	Typ. Current	Typ. Lumi. Intensity
Hochglanzverchromter Metallreflektor / Satin chrome bezel				
17.720250	red	12V AC/DC	8mA AC / 16mA DC	1500mcd
17.720255	green	12V AC/DC	7mA AC / 14mA DC	1200mcd
17.720252	yellow	12V AC/DC	8mA AC / 16mA DC	1000mcd
17.720257	blue	12V AC/DC	7mA AC / 14mA DC	350mcd
17.72025W	white	12V AC/DC	2,5mA AC / 5mA DC	750mcd
17.720350	red	24V AC/DC	8mA AC / 16mA DC	1500mcd
17.720355	green	24V AC/DC	7mA AC / 14mA DC	1200mcd
17.720352	yellow	24V AC/DC	8mA AC / 16mA DC	1000mcd
17.720357	blue	24V AC/DC	7mA AC / 14mA DC	350mcd
17.72035W	white	24V AC/DC	2,5mA AC / 5mA DC	750mcd
Schwarzverchromter Metallreflektor / Black chrome bezel				
17.721250	red	12V AC/DC	8mA AC / 16mA DC	1500mcd
17.721255	green	12V AC/DC	7mA AC / 14mA DC	1200mcd
17.721252	yellow	12V AC/DC	8mA AC / 16mA DC	1000mcd
17.721257	blue	12V AC/DC	7mA AC / 14mA DC	350mcd
17.72125W	white	12V AC/DC	2,5mA AC / 5mA DC	750mcd
17.721350	red	24V AC/DC	8mA AC / 16mA DC	1500mcd
17.721355	green	24V AC/DC	7mA AC / 14mA DC	1200mcd
17.721352	yellow	24V AC/DC	8mA AC / 16mA DC	1000mcd
17.721357	blue	24V AC/DC	7mA AC / 14mA DC	350mcd
17.72135W	white	24V AC/DC	2,5mA AC / 5mA DC	750mcd
Mattverchromter Metallreflektor / Matt chrome bezel				
17.722250	red	12V AC/DC	8mA AC / 16mA DC	1500mcd
17.722255	green	12V AC/DC	7mA AC / 14mA DC	1200mcd
17.722252	yellow	12V AC/DC	8mA AC / 16mA DC	1000mcd
17.722257	blue	12V AC/DC	7mA AC / 14mA DC	350mcd
17.72225W	white	12V AC/DC	2,5mA AC / 5mA DC	750mcd
17.722350	red	24V AC/DC	8mA AC / 16mA DC	1500mcd
17.722355	green	24V AC/DC	7mA AC / 14mA DC	1200mcd
17.722352	yellow	24V AC/DC	8mA AC / 16mA DC	1000mcd
17.722357	blue	24V AC/DC	7mA AC / 14mA DC	350mcd
17.72235W	white	24V AC/DC	2,5mA AC / 5mA DC	750mcd

Lichtstärkedaten der verwendeten LED bei DC-Betrieb / Luminous intensity data of the LED on direct voltage

Maximale Frontplattenstärke 11mm / Maximum panel thickness 11mm

Andere Spannungen auf Anfrage / Other voltages on request

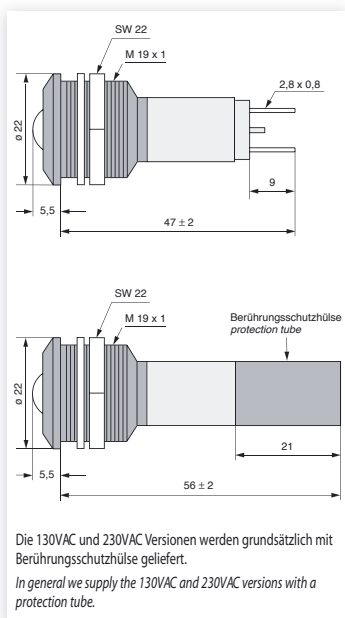




LED Signalleuchten LED Panel Mount Indicators

EINBAUDURCHMESSER
MOUNTING HOLE

Standardreflektor runde Linse 130/230V AC mit Berührungsschutzhülse IP67 / Standard bezel round lens 130/230V AC with protection tube IP67



Part Number	Colour	Voltage	Typ. Current	Typ. Lumi. Intensity
Hochglanzverchromter Metallreflektor / Satin chrome bezel				
17.730130	red	130V AC	6mA AC	600mcd
17.730135	green	130V AC	6mA AC	510mcd
17.730132	yellow	130V AC	6mA AC	400mcd
17.730137	blue	130V AC	6mA AC	150mcd
17.73013W	white	130V AC	3mA AC	450mcd
17.730230	red	230V AC	3mA AC	300mcd
17.730235	green	230V AC	3mA AC	255mcd
17.730232	yellow	230V AC	3mA AC	200mcd
17.730237	blue	230V AC	3mA AC	75mcd
17.73023W	white	230V AC	1,5mA AC	225mcd
Schwarzverchromter Metallreflektor / Black chrome bezel				
17.731130	red	130V AC	6mA AC	600mcd
17.731135	green	130V AC	6mA AC	510mcd
17.731132	yellow	130V AC	6mA AC	400mcd
17.731137	blue	130V AC	6mA AC	150mcd
17.73113W	white	130V AC	3mA AC	450mcd
17.731230	red	230V AC	3mA AC	300mcd
17.731235	green	230V AC	3mA AC	255mcd
17.731232	yellow	230V AC	3mA AC	200mcd
17.731237	blue	230V AC	3mA AC	75mcd
17.73123W	white	230V AC	1,5mA AC	225mcd
Mattverchromter Metallreflektor / Matt chrome bezel				
17.732130	red	130V AC	6mA AC	600mcd
17.732135	green	130V AC	6mA AC	510mcd
17.732132	yellow	130V AC	6mA AC	400mcd
17.732137	blue	130V AC	6mA AC	150mcd
17.73213W	white	130V AC	3mA AC	450mcd
17.732230	red	230V AC	3mA AC	300mcd
17.732235	green	230V AC	3mA AC	255mcd
17.732232	yellow	230V AC	3mA AC	200mcd
17.732237	blue	230V AC	3mA AC	75mcd
17.73223W	white	230V AC	1,5mA AC	225mcd

Maximale Frontplattenstärke 11mm / Maximum panel thickness 11mm
Andere Spannungen auf Anfrage / Other voltages on request

16 mm

8 mm

12 mm

14 mm

16 mm

19 mm

22 mm

ZUBEHÖR
ACCESSORIES





LED Signalleuchten LED Panel Mount Indicators

EINBAUDURCHMESSER
MOUNTING HOLE

6 mm

8 mm

12 mm

14 mm

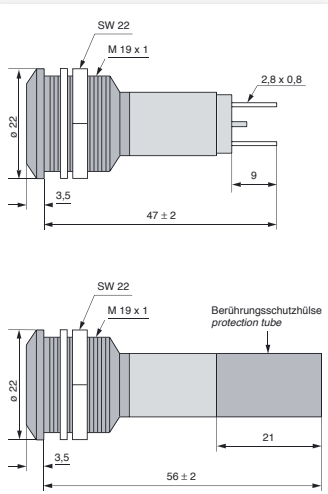
16 mm

19 mm

22 mm

ZUBEHÖR
ACCESSORIES

Standardreflektor flache Linse 130/230V AC mit Berührungsschutzhülse IP67 / Standard bezel flat lens 130/230V AC with protection tube IP67



Die 130VAC und 230VAC Versionen werden grundsätzlich mit Berührungsschutzhülse geliefert.
In general we supply the 130VAC and 230VAC versions with a protection tube.

Part Number	Colour	Voltage	Typ. Current	Typ. Lumi. Intensity
Hochglanzverchromter Metallreflektor / Satin chrome bezel				
17.740130	red	130V AC	6mA AC	600mcd
17.740135	green	130V AC	6mA AC	510mcd
17.740132	yellow	130V AC	6mA AC	400mcd
17.740137	blue	130V AC	6mA AC	150mcd
17.74013W	white	130V AC	3mA AC	450mcd
17.740230	red	230V AC	3mA AC	300mcd
17.740235	green	230V AC	3mA AC	255mcd
17.740232	yellow	230V AC	3mA AC	200mcd
17.740237	blue	230V AC	3mA AC	75mcd
17.74023W	white	230V AC	1,5mA AC	225mcd
Schwarzverchromter Metallreflektor / Black chrome bezel				
17.741130	red	130V AC	6mA AC	600mcd
17.741135	green	130V AC	6mA AC	510mcd
17.741132	yellow	130V AC	6mA AC	400mcd
17.741137	blue	130V AC	6mA AC	150mcd
17.74113W	white	130V AC	3mA AC	450mcd
17.741230	red	230V AC	3mA AC	300mcd
17.741235	green	230V AC	3mA AC	255mcd
17.741232	yellow	230V AC	3mA AC	200mcd
17.741237	blue	230V AC	3mA AC	75mcd
17.74123W	white	230V AC	1,5mA AC	225mcd
Mattverchromter Metallreflektor / Matt chrome bezel				
17.742130	red	130V AC	6mA AC	600mcd
17.742135	green	130V AC	6mA AC	510mcd
17.742132	yellow	130V AC	6mA AC	400mcd
17.742137	blue	130V AC	6mA AC	150mcd
17.74213W	white	130V AC	3mA AC	450mcd
17.742230	red	230V AC	3mA AC	300mcd
17.742235	green	230V AC	3mA AC	255mcd
17.742232	yellow	230V AC	3mA AC	200mcd
17.742237	blue	230V AC	3mA AC	75mcd
17.74223W	white	230V AC	1,5mA AC	225mcd

Maximale Frontplattenstärke 11mm / Maximum panel thickness 11mm
Andere Spannungen auf Anfrage / Other voltages on request

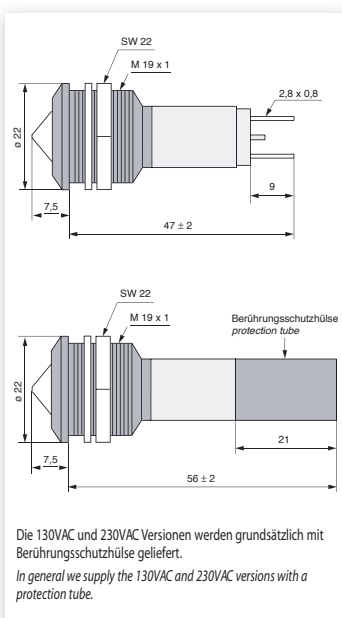




LED Signalleuchten LED Panel Mount Indicators

EINBAUDURCHMESSER
MOUNTING HOLE

Standardreflektor konische Linse 130/230V AC mit Berührungsschutzhülse IP67 / Standard bezel conical lens 130/230V AC with protection tube IP67



Part Number	Colour	Voltage	Typ. Current	Typ. Lumi. Intensity
Hochglanzverchromter Metallreflektor / Satin chrome bezel				
17.750130	red	130V AC	6mA AC	600mcd
17.750135	green	130V AC	6mA AC	510mcd
17.750132	yellow	130V AC	6mA AC	400mcd
17.750137	blue	130V AC	6mA AC	150mcd
17.75013W	white	130V AC	3mA AC	450mcd
17.750230	red	230V AC	3mA AC	300mcd
17.750235	green	230V AC	3mA AC	255mcd
17.750232	yellow	230V AC	3mA AC	200mcd
17.750237	blue	230V AC	3mA AC	75mcd
17.75023W	white	230V AC	1,5mA AC	225mcd
Schwarzverchromter Metallreflektor / Black chrome bezel				
17.751130	red	130V AC	6mA AC	600mcd
17.751135	green	130V AC	6mA AC	510mcd
17.751132	yellow	130V AC	6mA AC	400mcd
17.751137	blue	130V AC	6mA AC	150mcd
17.75113W	white	130V AC	3mA AC	450mcd
17.751230	red	230V AC	3mA AC	300mcd
17.751235	green	230V AC	3mA AC	255mcd
17.751232	yellow	230V AC	3mA AC	200mcd
17.751237	blue	230V AC	3mA AC	75mcd
17.75123W	white	230V AC	1,5mA AC	225mcd
Mattverchromter Metallreflektor / Matt chrome bezel				
17.752130	red	130V AC	6mA AC	600mcd
17.752135	green	130V AC	6mA AC	510mcd
17.752132	yellow	130V AC	6mA AC	400mcd
17.752137	blue	130V AC	6mA AC	150mcd
17.75213W	white	130V AC	3mA AC	450mcd
17.752230	red	230V AC	3mA AC	300mcd
17.752235	green	230V AC	3mA AC	255mcd
17.752232	yellow	230V AC	3mA AC	200mcd
17.752237	blue	230V AC	3mA AC	75mcd
17.75223W	white	230V AC	1,5mA AC	225mcd

Maximale Frontplattenstärke 11mm / Maximum panel thickness 11mm
Andere Spannungen auf Anfrage / Other voltages on request

16 mm

8 mm

12 mm

14 mm

16 mm

19 mm

22 mm

ZUBEHÖR
ACCESSORIES





LED Signalleuchten LED Panel Mount Indicators

LED Signalleuchten für den Einbaudurchmesser von 22mm (+0,5mm) sind mit verschiedenfarbigen, diffusen 16mm Linsen bestückt.

Zur Auswahl stehen zwei Linsenformen:

- runde Linse
- flache Linse

Sie sind mit hochglanzverchromten, schwarzverchromten oder mattverchromten Messingreflektoren sowie schwarzen Kunststoffreflektoren lieferbar. Der Anschluss erfolgt in der Regel über Flachstecker 2,8 x 0,8mm. Die entsprechenden Flachsteckhülsen finden Sie auf der Zubehör-Seite. Die Montage der LED Signalleuchten erfolgt mittels der mitgelieferten Sprengringe und Muttern.

Messingflachstecker = Anode (+)
verzinnter Flachstecker = Kathode (-)

LED panel mount indicators for a 22mm (+0.5mm) mounting hole are manufactured with coloured diffused 16mm lenses.

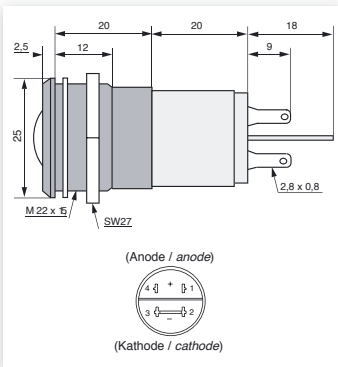
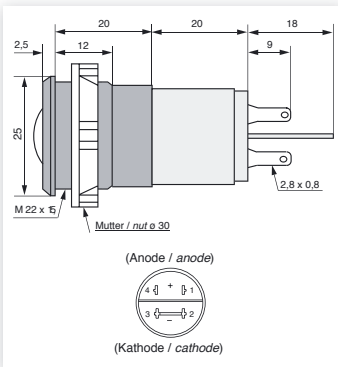
These indicators can be delivered with two different lens shapes:

- round lens
- flat lens

These lenses are fitted in high quality satin chrome, black chrome or matt chrome metal bezels or in black plastic bezels, supplied with fixing nut and washer. Connection is usually by faston tab terminals 2.8 x 0.8mm. Suitable crimp connectors can be found on the page for accessories.

Brass terminals = anode (+)
Tinned terminals = cathode (-)

Standardreflektor runde Linse mit Vorwiderstand und Brückengleichrichter IP67 / Standard bezel round lens with resistor and bridge rectifier IP67



Part Number	Colour	Voltage	Typ. Current	Typ. Lumi. Intensity
Schwarzer Kunststoffreflektor / Black plastic bezel				
17.5A1250UC	red	12V AC/DC	16mA AC/DC	160mcd
17.5A1251UC	green	12V AC/DC	16mA AC/DC	400mcd
17.5A1252UC	yellow	12V AC/DC	16mA AC/DC	350mcd
17.5A1257UC	blue	12V AC/DC	16mA AC/DC	280mcd
17.5A125WUC	white	12V AC/DC	7mA AC/DC	1050mcd
17.5A1350UC	red	24V AC/DC	16mA AC/DC	160mcd
17.5A1351UC	green	24V AC/DC	16mA AC/DC	400mcd
17.5A1352UC	yellow	24V AC/DC	16mA AC/DC	350mcd
17.5A1357UC	blue	24V AC/DC	16mA AC/DC	280mcd
17.5A135WUC	white	24V AC/DC	8mA AC/DC	1200mcd
Hochglanzverchromter Metallreflektor / Satin chrome bezel				
17.5A0250MUC	red	12V AC/DC	16mA AC/DC	160mcd
17.5A0251MUC	green	12V AC/DC	16mA AC/DC	400mcd
17.5A0252MUC	yellow	12V AC/DC	16mA AC/DC	350mcd
17.5A0257MUC	blue	12V AC/DC	16mA AC/DC	280mcd
17.5A025WMUC	white	12V AC/DC	7mA AC/DC	1050mcd
17.5A0350MUC	red	24V AC/DC	16mA AC/DC	160mcd
17.5A0351MUC	green	24V AC/DC	16mA AC/DC	400mcd
17.5A0352MUC	yellow	24V AC/DC	16mA AC/DC	350mcd
17.5A0357MUC	blue	24V AC/DC	16mA AC/DC	280mcd
17.5A035WMUC	white	24V AC/DC	8mA AC/DC	1200mcd
Schwarzverchromter Metallreflektor / Black chrome bezel				
17.5A1250MUC	red	12V AC/DC	16mA AC/DC	160mcd
17.5A1251MUC	green	12V AC/DC	16mA AC/DC	400mcd
17.5A1252MUC	yellow	12V AC/DC	16mA AC/DC	350mcd
17.5A1257MUC	blue	12V AC/DC	16mA AC/DC	280mcd
17.5A125WMUC	white	12V AC/DC	7mA AC/DC	1050mcd
17.5A1350MUC	red	24V AC/DC	16mA AC/DC	160mcd
17.5A1351MUC	green	24V AC/DC	16mA AC/DC	400mcd
17.5A1352MUC	yellow	24V AC/DC	16mA AC/DC	350mcd
17.5A1357MUC	blue	24V AC/DC	16mA AC/DC	280mcd
17.5A135WMUC	white	24V AC/DC	8mA AC/DC	1200mcd
Mattverchromter Metallreflektor / Matt chrome bezel				
17.5A2250MUC	red	12V AC/DC	16mA AC/DC	160mcd
17.5A2251MUC	green	12V AC/DC	16mA AC/DC	400mcd
17.5A2252MUC	yellow	12V AC/DC	16mA AC/DC	350mcd
17.5A2257MUC	blue	12V AC/DC	16mA AC/DC	280mcd
17.5A225WMUC	white	12V AC/DC	7mA AC/DC	1050mcd
17.5A2350MUC	red	24V AC/DC	16mA AC/DC	160mcd
17.5A2351MUC	green	24V AC/DC	16mA AC/DC	400mcd
17.5A2352MUC	yellow	24V AC/DC	16mA AC/DC	350mcd
17.5A2357MUC	blue	24V AC/DC	16mA AC/DC	280mcd
17.5A235WMUC	white	24V AC/DC	8mA AC/DC	1200mcd

Maximale Frontplattenstärke 8,5mm / Maximum panel thickness 8.5mm
Andere Spannungen auf Anfrage / Other voltages on request



EINBAUDURCHMESSER
MOUNTING HOLE

6 mm

8 mm

12 mm

14 mm

16 mm

19 mm

22 mm

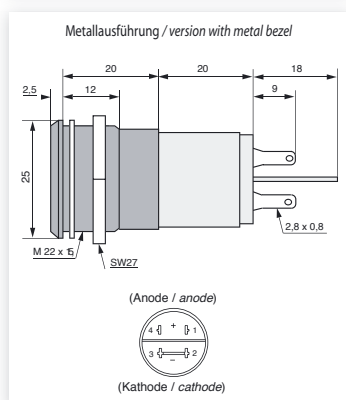
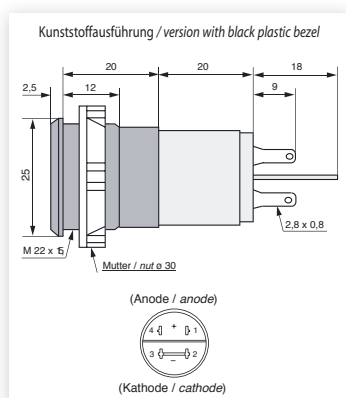
ZUBEHÖR
ACCESSORIES



LED Signalleuchten LED Panel Mount Indicators

EINBAUDURCHMESSER
MOUNTING HOLE

Standardreflektor flache Linse mit Vorwiderstand und Brückengleichrichter IP67 / Standard bezel flat lens with resistor and bridge rectifier IP67



Part Number	Colour	Voltage	Typ. Current	Typ. Lumi. Intensity
Schwarzer Kunststoffreflektor / Black plastic bezel				
17.5B1250UC	red	12V AC/DC	16mA AC/DC	160mcd
17.5B1251UC	green	12V AC/DC	16mA AC/DC	400mcd
17.5B1252UC	yellow	12V AC/DC	16mA AC/DC	350mcd
17.5B1257UC	blue	12V AC/DC	16mA AC/DC	280mcd
17.5B125WUC	white	12V AC/DC	7mA AC/DC	1050mcd
17.5B1350UC	red	24V AC/DC	16mA AC/DC	160mcd
17.5B1351UC	green	24V AC/DC	16mA AC/DC	400mcd
17.5B1352UC	yellow	24V AC/DC	16mA AC/DC	350mcd
17.5B1357UC	blue	24V AC/DC	16mA AC/DC	280mcd
17.5B135WUC	white	24V AC/DC	8mA AC/DC	1200mcd
Hochglanzverchromter Metallreflektor / Satin chrome bezel				
17.5B0250MUC	red	12V AC/DC	16mA AC/DC	160mcd
17.5B0251MUC	green	12V AC/DC	16mA AC/DC	400mcd
17.5B0252MUC	yellow	12V AC/DC	16mA AC/DC	350mcd
17.5B0257MUC	blue	12V AC/DC	16mA AC/DC	280mcd
17.5B025WMUC	white	12V AC/DC	7mA AC/DC	1050mcd
17.5B0350MUC	red	24V AC/DC	16mA AC/DC	160mcd
17.5B0351MUC	green	24V AC/DC	16mA AC/DC	400mcd
17.5B0352MUC	yellow	24V AC/DC	16mA AC/DC	350mcd
17.5B0357MUC	blue	24V AC/DC	16mA AC/DC	280mcd
17.5B035WMUC	white	24V AC/DC	8mA AC/DC	1200mcd
Schwarzverchromter Metallreflektor / Black chrome bezel				
17.5B1250MUC	red	12V AC/DC	16mA AC/DC	160mcd
17.5B1251MUC	green	12V AC/DC	16mA AC/DC	400mcd
17.5B1252MUC	yellow	12V AC/DC	16mA AC/DC	350mcd
17.5B1257MUC	blue	12V AC/DC	16mA AC/DC	280mcd
17.5B125WMUC	white	12V AC/DC	7mA AC/DC	1050mcd
17.5B1350MUC	red	24V AC/DC	16mA AC/DC	160mcd
17.5B1351MUC	green	24V AC/DC	16mA AC/DC	400mcd
17.5B1352MUC	yellow	24V AC/DC	16mA AC/DC	350mcd
17.5B1357MUC	blue	24V AC/DC	16mA AC/DC	280mcd
17.5B135WMUC	white	24V AC/DC	8mA AC/DC	1200mcd
Mattverchromter Metallreflektor / Matt chrome bezel				
17.5B2250MUC	red	12V AC/DC	16mA AC/DC	160mcd
17.5B2251MUC	green	12V AC/DC	16mA AC/DC	400mcd
17.5B2252MUC	yellow	12V AC/DC	16mA AC/DC	350mcd
17.5B2257MUC	blue	12V AC/DC	16mA AC/DC	280mcd
17.5B225WMUC	white	12V AC/DC	7mA AC/DC	1050mcd
17.5B2350MUC	red	24V AC/DC	16mA AC/DC	160mcd
17.5B2351MUC	green	24V AC/DC	16mA AC/DC	400mcd
17.5B2352MUC	yellow	24V AC/DC	16mA AC/DC	350mcd
17.5B2357MUC	blue	24V AC/DC	16mA AC/DC	280mcd
17.5B235WMUC	white	24V AC/DC	8mA AC/DC	1200mcd

Maximale Frontplattenstärke 8,5mm / Maximum panel thickness 8.5mm
Andere Spannungen auf Anfrage / Other voltages on request

6 mm

8 mm

12 mm

14 mm

16 mm

19 mm

22 mm

ZUBEHÖR
ACCESSORIES





LED Signalleuchten LED Panel Mount Indicators

EINBAUURCHMESSER
MOUNTING HOLE

6 mm

8 mm

12 mm

14 mm

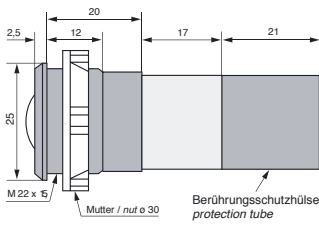
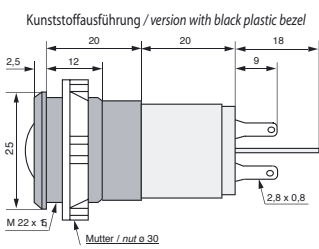
16 mm

19 mm

22 mm

ZUBEHÖR
ACCESSORIES

Standardreflektor runde Linse 130/230V AC mit Berührungsschutzhülse IP67 / Standard bezel round lens 130/230V AC with protection tube IP67

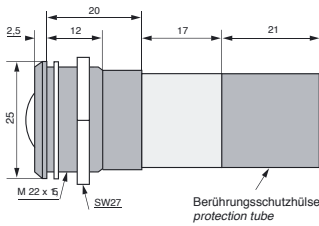
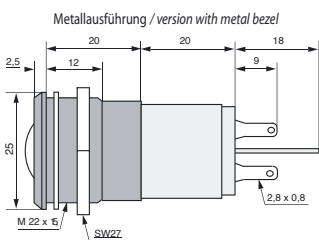


(Anode / anode)



(Kathode / cathode)

Die 130VAC und 230VAC Versionen werden grundsätzlich mit Berührungsschutzhülse geliefert. In general we supply the 130VAC and 230VAC versions with a protection tube.



(Anode / anode)



(Kathode / cathode)

Die 130VAC und 230VAC Versionen werden grundsätzlich mit Berührungsschutzhülse geliefert. In general we supply the 130VAC and 230VAC versions with a protection tube.

Part Number	Colour	Voltage	Typ. Current	Typ. Lumi. Intensity
Schwarzer Kunststoffreflektor / Black plastic bezel				
17.5E1130	red	130V AC	6mA AC	60mcd
17.5E1131	green	130V AC	6mA AC	150mcd
17.5E1132	yellow	130V AC	6mA AC	130mcd
17.5E1137	blue	130V AC	6mA AC	100mcd
17.5E113W	white	130V AC	3mA AC	450mcd
17.5E1230	red	230V AC	4mA AC	40mcd
17.5E1231	green	230V AC	4mA AC	100mcd
17.5E1232	yellow	230V AC	4mA AC	85mcd
17.5E1237	blue	230V AC	4mA AC	70mcd
17.5E123W	white	230V AC	2mA AC	300mcd
Hochglanzverchromter Metallreflektor / Satin chrome bezel				
17.5E0130M	red	130V AC	6mA AC	60mcd
17.5E0131M	green	130V AC	6mA AC	150mcd
17.5E0132M	yellow	130V AC	6mA AC	130mcd
17.5E0137M	blue	130V AC	6mA AC	100mcd
17.5E013WM	white	130V AC	3mA AC	450mcd
17.5E0230M	red	230V AC	4mA AC	40mcd
17.5E0231M	green	230V AC	4mA AC	100mcd
17.5E0232M	yellow	230V AC	4mA AC	85mcd
17.5E0237M	blue	230V AC	4mA AC	70mcd
17.5E023WM	white	230V AC	2mA AC	300mcd
Schwarzverchromter Metallreflektor / Black chrome bezel				
17.5E1130M	red	130V AC	6mA AC	60mcd
17.5E1131M	green	130V AC	6mA AC	150mcd
17.5E1132M	yellow	130V AC	6mA AC	130mcd
17.5E1137M	blue	130V AC	6mA AC	100mcd
17.5E113WM	white	130V AC	3mA AC	450mcd
17.5E1230M	red	230V AC	4mA AC	40mcd
17.5E1231M	green	230V AC	4mA AC	100mcd
17.5E1232M	yellow	230V AC	4mA AC	85mcd
17.5E1237M	blue	230V AC	4mA AC	70mcd
17.5E123WM	white	230V AC	2mA AC	300mcd
Mattverchromter Metallreflektor / Matt chrome bezel				
17.5E2130M	red	130V AC	6mA AC	60mcd
17.5E2131M	green	130V AC	6mA AC	150mcd
17.5E2132M	yellow	130V AC	6mA AC	130mcd
17.5E2137M	blue	130V AC	6mA AC	100mcd
17.5E213WM	white	130V AC	3mA AC	450mcd
17.5E2230M	red	230V AC	4mA AC	40mcd
17.5E2231M	green	230V AC	4mA AC	100mcd
17.5E2232M	yellow	230V AC	4mA AC	85mcd
17.5E2237M	blue	230V AC	4mA AC	70mcd
17.5E223WM	white	230V AC	2mA AC	300mcd

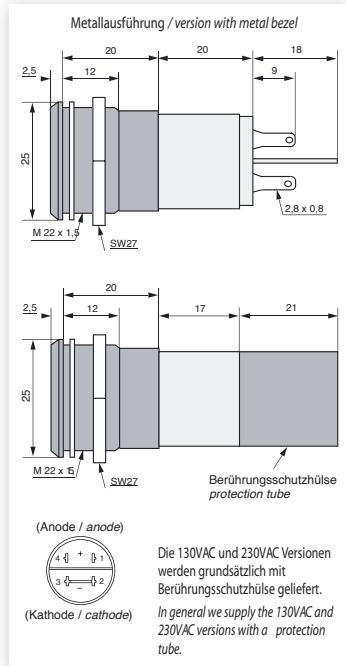
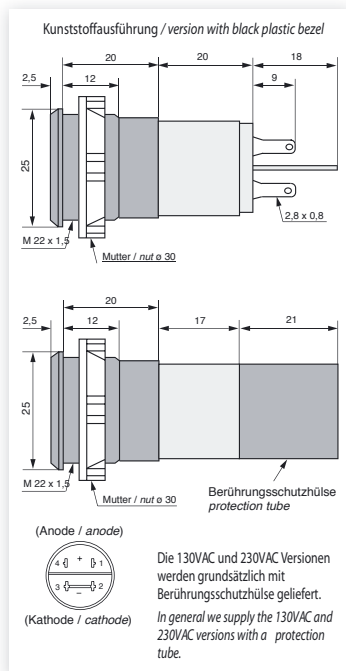
Maximale Frontplattenstärke 8,5mm / Maximum panel thickness 8.5mm
Andere Spannungen auf Anfrage / Other voltages on request





LED Signalleuchten LED Panel Mount Indicators

Standardreflektor flache Linse 130/230V AC mit Berührungsschutzhülse IP67 / Standard bezel flat lens 130/230V AC with protection tube IP67



Part Number	Colour	Voltage	Typ. Current	Typ. Lumi. Intensity
Schwarzer Kunststoffreflektor / Black plastic bezel				
17.5F1130	red	130V AC	6mA AC	60mcd
17.5F1131	green	130V AC	6mA AC	150mcd
17.5F1132	yellow	130V AC	6mA AC	130mcd
17.5F1137	blue	130V AC	6mA AC	100mcd
17.5F113W	white	130V AC	3mA AC	450mcd
17.5F1230	red	230V AC	4mA AC	40mcd
17.5F1231	green	230V AC	4mA AC	100mcd
17.5F1232	yellow	230V AC	4mA AC	85mcd
17.5F1237	blue	230V AC	4mA AC	70mcd
17.5F123W	white	230V AC	2mA AC	300mcd
Hochglanzverchromter Metallreflektor / Satin chrome bezel				
17.5F0130M	red	130V AC	6mA AC	60mcd
17.5F0131M	green	130V AC	6mA AC	150mcd
17.5F0132M	yellow	130V AC	6mA AC	130mcd
17.5F0137M	blue	130V AC	6mA AC	100mcd
17.5F013WM	white	130V AC	3mA AC	450mcd
17.5F0230M	red	230V AC	4mA AC	40mcd
17.5F0231M	green	230V AC	4mA AC	100mcd
17.5F0232M	yellow	230V AC	4mA AC	85mcd
17.5F0237M	blue	230V AC	4mA AC	70mcd
17.5F023WM	white	230V AC	2mA AC	300mcd
Schwarzverchromter Metallreflektor / Black chrome bezel				
17.5F1130M	red	130V AC	6mA AC	60mcd
17.5F1131M	green	130V AC	6mA AC	150mcd
17.5F1132M	yellow	130V AC	6mA AC	130mcd
17.5F1137M	blue	130V AC	6mA AC	100mcd
17.5F113WM	white	130V AC	3mA AC	450mcd
17.5F1230M	red	230V AC	4mA AC	40mcd
17.5F1231M	green	230V AC	4mA AC	100mcd
17.5F1232M	yellow	230V AC	4mA AC	85mcd
17.5F1237M	blue	230V AC	4mA AC	70mcd
17.5F123WM	white	230V AC	2mA AC	300mcd
Mattverchromter Metallreflektor / Matt chrome bezel				
17.5F2130M	red	130V AC	6mA AC	60mcd
17.5F2131M	green	130V AC	6mA AC	150mcd
17.5F2132M	yellow	130V AC	6mA AC	130mcd
17.5F2137M	blue	130V AC	6mA AC	100mcd
17.5F213WM	white	130V AC	3mA AC	450mcd
17.5F2230M	red	230V AC	4mA AC	40mcd
17.5F2231M	green	230V AC	4mA AC	100mcd
17.5F2232M	yellow	230V AC	4mA AC	85mcd
17.5F2237M	blue	230V AC	4mA AC	70mcd
17.5F223WM	white	230V AC	2mA AC	300mcd

Maximale Frontplattenstärke 8,5mm / Maximum panel thickness 8.5mm
Andere Spannungen auf Anfrage / Other voltages on request

EINBAUDURCHMESSER
MOUNTING HOLE

6 mm

8 mm

12 mm

14 mm

16 mm

19 mm

22 mm

ZUBEHÖR
ACCESSORIES





LED Signalleuchten LED Panel Mount Indicators

EINBAUURCHMESSER
MOUNTING HOLE

6 mm

8 mm

12 mm

14 mm

16 mm

19 mm

22 mm

ZUBEHÖR
ACCESSORIES

**Flachsteckhülse 2,0 x 0,5mm für Drahtquerschnitt 0,2mm² - 0,5mm² /
Push-on connector 2.0 x 0.5mm for a wire size of 0.2mm²- 0.5mm²**



Part Number				
HCB40220040				

**Flachsteckhülse 2,8 x 0,8mm für Drahtquerschnitt 0,2mm² - 0,5mm² /
Push-on connector 2.8 x 0.8mm for a wire size of 0.2mm² - 0.5mm²**



Part Number				
HCB40220044				

**Isolierte Flachsteckhülse 2,0 x 0,5mm mit einer 300mm langen PVC-Anschlussleitung 0,5mm² /
Insulated push-on connector 2.0 x 0.5mm with 300mm long pvc insulated wire 0.5mm²**



Part Number	Colour			
HCB33103001	red			
HCB33103002	black			

**Isolierte Flachsteckhülse 2,8 x 0,8mm mit einer 300mm langen PVC-Anschlussleitung 0,5mm² /
Insulated push-on connector 2.8 x 0.8mm with 300mm long pvc insulated wire 0.5mm²**



Part Number	Colour			
HCB33203001	red			
HCB33203002	black			

**Trennsteg für 14mm und 19mm LED Signalleuchten /
Isolating spacer for 14mm and 19mm LED panel mount indicators**



Part Number				
HCB51003050				





24VDC Universaldimmer im DIN Schienen Gehäuse



* Starthelligkeit einstellbar

Typ: HSD24-N (Negativ Variante*)

Artikelnummer	175N-103504
Betriebsspannung	10 - 35VDC
Stromaufnahme	20mA
Max Ausgangsstrom	4A
Arbeitstemperatur	-40°C bis + 70°C
Lagertemperatur	-40°C bis + 70°C
Gehäuse	1 TE (17,5mm)
Duty Cycle*	0 - 100%
Ansteuerung wahlweise	1-10V / Tasten / Poti 10K
Schaltfrequenz	120Hz
Gewicht	52 g
Leistung	96 Watt bei 24VDC
Zertifizierung	CE/RoHS
Schutzart	IP20

* weitere Varianten auf Anfrage!

Unser ergänzendes Lieferprogramm:

- gesockelte Leuchtmittel
- LED Leuchten 24VDC
- EAO Befehls- und Meldegeräte
- Gessmann Fahrschalter
- Bedien- und Anzeigeplatten
- Folientastaturen und Eingabesysteme
- Netzgeräte
- Digitalanzeigen

Die im Katalog aufgeführten Informationen und Daten wurden sorgfältig zusammengestellt. Trotzdem können wir für Fehler keine Haftung übernehmen. Druckfehler, Irrtümer bei Angaben und technische Änderungen vorbehalten.

All information and data in this catalogue have been thoroughly compiled. We do not assume liability for any mistakes and printing errors. We reserve the right to change specifications.

Fotos / Quellennachweis: Shutterstock:
144867 Jenny Solomon, 15568672 Vladimir Melnik, 31643836 IM_photo, 47091607 MarchCattle, 50860453 Vladitto, 83385619 Ortoodox,
107552948 Nelson Marques, 117567658 My Good Images, 134297357 Jose Angel Astor Rocha, 137055227 wellphoto, 140415910 Hong xia, 145272730 leungchopan, 174908816 AlexussK, 179180633 Henrik Lehnerer, 181969520 Raghnarroog, 10471627 JoLin

H-C-B Technik



Tel.: +49 (0)40-552 863 30
Fax: +49 (0)40-720 067 92
info@hcb-technik.de
www.hcb-technik.de

